



CORROSION RESISTANCE

Astral CPVC PRO piping system gives excellent resistance even under the harshest of water conditions so there are none of the purity worries from corrosion of metal pipe or soldered joints. Astral CPVC PRO pipe keeps pure water pure.



UNAFFECTED BY CHLORINE IN WATER

Some materials may be adversely affected by chlorine contained in the water supply, which can cause breakdown of the polymer chains and potential leaks. In this respect, Astral CPVC PRO piping system is unaffected by the chlorine present in potable water supply.



EASY PLUMBING PROCESS

CPVC uses a simple, solvent cement jointing method. Tools required are very simple and inexpensive (chamfering tool and pipe cutter only) and avoid the need for an electrical source. Also due to superior insulation properties compare to copper and GI, this system saves installation cost.



FIRE SAFETY

CPVC has a Limiting Oxygen Index (LOI) of 60. Thus in air, Astral CPVC PRO pipe does not support combustion. No flaming drips, does not increase the fire spreading, No flame spread & low smoke generation.



LOWER BACTERIAL GROWTH

Bacteria build up with CPVC piping system is far lower than with alternative piping materials due to very smooth internal surface. It does not deteriorate quality of water and prevents contamination, unpleasant odour, bad taste and discolouration of water.



HOT WATER COMPATIBLE

Astral CPVC PRO piping system is compatible with both hot and cold water. It withstand very high temperature upto 93°C. Many solar, electric and gas water heaters have CPVC piping system for heat efficiency and lower installation cost.



STRONG & DURABLE MATERIAL

Astral CPVC PRO piping system has a much higher strength than other thermoplastics used in plumbing. Hence, it needs less hangers and supports and there is no unsightly looping of the pipe. It has a higher pressure bearing capability, leading to the same flow rate with a smaller size. Also having high UV resistance, life span is more than 50 years.



APPROVED WORLD WIDE

CPVC piping system is approved for contact with potable water in wide range of countries including USA, UK, Canada, Germany, France, The Netherlands, Middle East, Africa etc.



NO SCALE, PIT OR LEACH FORMATION

Even after years of use in the most aggressive conditions, this pipe won't corrode, standing against low pH water, coastal salt, air exposures and corrosive soils. It stays as solid and reliable as the day it was installed, maintaining full water carrying capacity.



LOW THERMAL EXPANSION

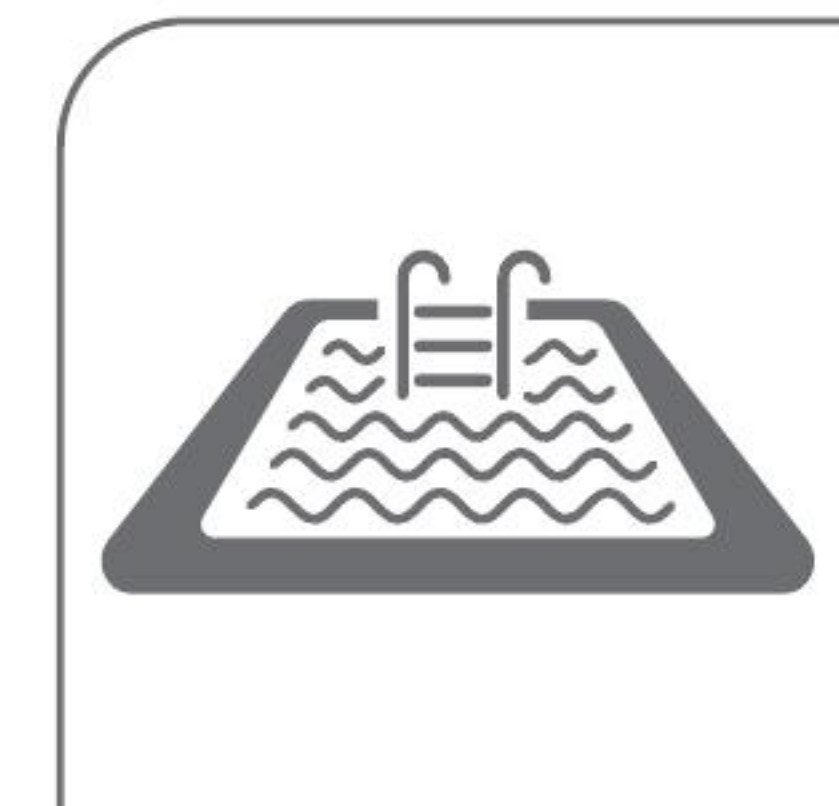
Astral CPVC PRO piping system has a lower coefficient of thermal expansion, reducing the amount that the pipe expands when hot water is running, again reducing unsightly 'looping' of the pipe.

Fields Of Applications

Astral CPVC PRO Pipes are ideal for Hot and Cold water applications in

- Homes, apartments
- Hotels, resort
- Hospitals
- High and low rise buildings
- Corporate and commercial houses
- Academic institutes

etc. for pure and hygienic water supply.





CTS - as per ASTM D2846



Only those products bearing the above marks are certified



Size (cm)	Size (inch)	Product Code	Std. Pkg. (Nos.)
1.5	½	M511110301*	100
2.0	¾	M511110302*	50
2.5	1	M511110303*	30
3.2	1¼	M511110304*	20
4.0	1½	M511110305*	15
5.0	2	M511110306*	08



Size (cm)	Size (inch)	Product Code	Std. Pkg. (Nos.)
1.5	½	M511130301*	100
2.0	¾	M511130302*	50
2.5	1	M511130303*	30
3.2	1¼	M511130304*	20
4.0	1½	M511130305*	15
5.0	2	M511130306*	08



Size (cm)	Size (inch)	Product Code	Std. Pkg. (Nos.)
1.5	½	M511110501*	60
2.0	¾	M511110502*	40
2.5	1	M511110503*	25
3.2	1¼	M511110504*	15
4.0	1½	M511110505*	10
5.0	2	M511110506*	06



Size (cm)	Size (inch)	Product Code	Std. Pkg. (Nos.)
1.5	½	M511130501*	60
2.0	¾	M511130502*	40
2.5	1	M511130503*	25
3.2	1¼	M511130504*	15
4.0	1½	M511130505*	10
5.0	2	M511130506*	06

* Manufactured as per IS Standard



CTS - as per ASTM D2846



Only those products bearing the above marks are certified



PIPE SDR-11
(3 METRE LENGTH)

Size (cm)	Size (inch)	Product Code	Std. Pkg. (Nos.)
1.5	½	M511110301*	100
2.0	¾	M511110302*	50
2.5	1	M511110303*	30
3.2	1¼	M511110304*	20
4.0	1½	M511110305*	15
5.0	2	M511110306*	08



PIPE SDR-13.5
(3 METRE LENGTH)

Size (cm)	Size (inch)	Product Code	Std. Pkg. (Nos.)
1.5	½	M511130301*	100
2.0	¾	M511130302*	50
2.5	1	M511130303*	30
3.2	1¼	M511130304*	20
4.0	1½	M511130305*	15
5.0	2	M511130306*	08



PIPE SDR-11
(5 METRE LENGTH)

Size (cm)	Size (inch)	Product Code	Std. Pkg. (Nos.)
1.5	½	M511110501*	60
2.0	¾	M511110502*	40
2.5	1	M511110503*	25
3.2	1¼	M511110504*	15
4.0	1½	M511110505*	10
5.0	2	M511110506*	06



PIPE SDR-13.5
(5 METRE LENGTH)

Size (cm)	Size (inch)	Product Code	Std. Pkg. (Nos.)
1.5	½	M511130501*	60
2.0	¾	M511130502*	40
2.5	1	M511130503*	25
3.2	1¼	M511130504*	15
4.0	1½	M511130505*	10
5.0	2	M511130506*	06

IPS - as per ASTM F441



PIPE SCHEDULE 40
(3 METRE LENGTH)

Size (cm)	Size (inch)	Product Code	Std. Pkg. (Nos.)
6.5	2½	M511400307	05
8.0	3	M511400308	03
10.0	4	M511400309	02
15.0	6	M511400310	01



PIPE SCHEDULE 80
(3 METRE LENGTH)

Size (cm)	Size (inch)	Product Code	Std. Pkg. (Nos.)
6.5	2½	M511800307	05
8.0	3	M511800308	03
10.0	4	M511800309	02
15.0	6	M511800310	01
20.0	8	M511800311	01

10" and 12" pipe sizes are available on request



PIPE SCHEDULE 40
(5 METRE LENGTH)

Size (cm)	Size (inch)	Product Code	Std. Pkg. (Nos.)
6.5	2½	M511400507	05
8.0	3	M511400508	03
10.0	4	M511400509	02
15.0	6	M511400510	01



PIPE SCHEDULE 80
(5 METRE LENGTH)

Size (cm)	Size (inch)	Product Code	Std. Pkg. (Nos.)
6.5	2½	M511800507	05
8.0	3	M511800508	03
10.0	4	M511800509	02
15.0	6	M511800510	01
20.0	8	M511800511	01

10" and 12" pipe sizes are available on request

CTS - as per ASTM D2846



COUPLER

Size (cm)	DN (inch)	Product Code	H (mm)	L (mm)	S (mm)	D (mm)	Pkg.(Nos.)	
							Std.	Mast.
1.5	½	M512111001*	29.5	20.84	13.23	16.08	100	1500
2.0	¾	M512111002*	38.6	28	18	22.45	100	600
2.5	1	M512111003*	49.5	35	23.4	28.83	50	600
3.2	1¼	M512111004*	59.1	41.6	28	35.2	10	300
4.0	1½	M512111005*	69	49.3	33.1	41.66	10	200
5.0	2	M512111006*	90	64.2	43.2	54.38	10	50



ELBOW 45°-SOC

Size (cm)	DN (inch)	Product Code	H (mm)	L (mm)	S (mm)	D (mm)	Pkg.(Nos.)	
							Std.	Mast.
1.5	½	M512112301*	38.88	31.09	13.4	16.08	100	500
2.0	¾	M512112302*	51	40.76	18.8	22.45	100	200
2.5	1	M512112303*	66.33	51.94	24	28.83	50	250
3.2	1¼	M512112304*	78	62.12	29.1	35.2	10	60
4.0	1½	M512112305*	91.93	73.18	33.6	41.66	10	40
5.0	2	M512112306*	118.89	64.38	43.56	54.38	05	15



ELBOW 90°-SOC

Size (cm)	DN (inch)	Product Code	H (mm)	L (mm)	S (mm)	D (mm)	Pkg.(Nos.)	
							Std.	Mast.
1.5	½	M512110501*	33.9	33.9	13.2	16.08	100	1000
2.0	¾	M512110502*	45.58	45.58	18.4	22.45	50	800
2.5	1	M512110503*	57.4	57.4	23.5	28.83	50	400
3.2	1¼	M512110504*	58.59	58.59	28.7	35.2	10	200
4.0	1½	M512110505*	80.77	80.77	33.7	41.66	10	120
5.0	2	M512110506*	104.85	104.85	43.6	54.38	05	50



TEE-SOC

Size (cm)	DN (inch)	Product Code	H (mm)	L (mm)	S (mm)	D (mm)	Pkg.(Nos.)	
							Std.	Mast.
1.5	½	M512110101*	38.88	31.09	13.4	16.08	100	800
2.0	¾	M512110102*	51	40.76	18.8	22.45	50	500
2.5	1	M512110103*	66.33	51.94	24	28.83	25	300
3.2	1¼	M512110104*	78	62.12	29.1	35.2	10	150
4.0	1½	M512110105*	91.93	73.18	33.6	41.66	10	90
5.0	2	M512110106*	118.89	64.38	43.56	54.38	05	40



END CAP-SOC

Size (cm)	DN (inch)	Product Code	H (mm)	L (mm)	S (mm)	D (mm)	Pkg.(Nos.)	
							Std.	Mast.
1.5	½	M512114101*	33.9	33.9	13.2	16.08	100	1000
2.0	¾	M512114102*	45.58	45.58	18.4	22.45	100	500
2.5	1	M512114103*	57.4	57.4	23.5	28.83	100	200
3.2	1¼	M512114104*	58.59	58.59	28.7	35.2	10	120
4.0	1½	M512114105*	80.77	80.77	33.7	41.66	10	100
5.0	2	M512114106*	104.85	104.85	43.6	54.38	10	40



CROSS-SOC

Size (cm)	DN (inch)	Product Code	H (mm)	L (mm)	S (mm)	D (mm)	Pkg.(Nos.)	
							Std.	Mast.
1.5	½	M512112401*	45.6	45.6	13.6	16.08	100	200
2.0	¾	M512112402*	62	62	18.5	22.45	25	100
2.5	1	M512112403*	79	79	23.36	28.83	25	100
3.2	1¼	M512112404*	96.5	96.5	28.4	35.2	10	60
4.0	1½	M512112405*	112.48	112.48	33.5	41.66	05	40
5.0	2	M512112406*	144.85	144.85	43.9	54.38	15	15

Note: SOC - SOCKET

* Manufactured as per IS Standard

IPS - as per ASTM F441



PIPE SCHEDULE 40
(3 METRE LENGTH)

Size (cm)	Size (inch)	Product Code	Std. Pkg. (Nos.)
6.5	2½	M511400307	05
8.0	3	M511400308	03
10.0	4	M511400309	02
15.0	6	M511400310	01



PIPE SCHEDULE 40
(5 METRE LENGTH)

Size (cm)	Size (inch)	Product Code	Std. Pkg. (Nos.)
6.5	2½	M511400507	05
8.0	3	M511400508	03
10.0	4	M511400509	02
15.0	6	M511400510	01



PIPE SCHEDULE 80
(3 METRE LENGTH)

Size (cm)	Size (inch)	Product Code	Std. Pkg. (Nos.)
6.5	2½	M511800307	05
8.0	3	M511800308	03
10.0	4	M511800309	02
15.0	6	M511800310	01
20.0	8	M511800311	01

10" and 12" pipe sizes are available on request



PIPE SCHEDULE 80
(5 METRE LENGTH)

Size (cm)	Size (inch)	Product Code	Std. Pkg. (Nos.)
6.5	2½	M511800507	05
8.0	3	M511800508	03
10.0	4	M511800509	02
15.0	6	M511800510	01
20.0	8	M511800511	01

10" and 12" pipe sizes are available on request

CTS - as per ASTM D2846



COUPLER

Size (cm)	DN (inch)	Product Code	H (mm)	L (mm)	S (mm)	D (mm)	Pkg.(Nos.)	
							Std.	Mast.
1.5	½	M512111001*	29.5	20.84	13.23	16.08	100	1500
2.0	¾	M512111002*	38.6	28	18	22.45	100	600
2.5	1	M512111003*	49.5	35	23.4	28.83	50	600
3.2	1¼	M512111004*	59.1	41.6	28	35.2	10	300
4.0	1½	M512111005*	69	49.3	33.1	41.66	10	200
5.0	2	M512111006*	90	64.2	43.2	54.38	10	50



ELBOW 90°-SOC

Size (cm)	DN (inch)	Product Code	H (mm)	L (mm)	S (mm)	D (mm)	Pkg.(Nos.)	
							Std.	Mast.
1.5	½	M512110501*	33.9	33.9	13.2	16.08	100	1000
2.0	¾	M512110502*	45.58	45.58	18.4	22.45	50	800
2.5	1	M512110503*	57.4	57.4	23.5	28.83	50	400
3.2	1¼	M512110504*	58.59	58.59	28.7	35.2	10	200
4.0	1½	M512110505*	80.77	80.77	33.7	41.66	10	120
5.0	2	M512110506*	104.85	104.85	43.6	54.38	05	50



END CAP-SOC

Size (cm)	DN (inch)	Product Code	H (mm)	L (mm)	S (mm)	D (mm)	Pkg.(Nos.)	
							Std.	Mast.
1.5	½	M512114101*	33.9	33.9	13.2	16.08	100	1000
2.0	¾	M512114102*	45.58	45.58	18.4	22.45	100	500
2.5	1	M512114103*	57.4	57.4	23.5	28.83	100	200
3.2	1¼	M512114104*	58.59	58.59	28.7	35.2	10	120
4.0	1½	M512114105*	80.77	80.77	33.7	41.66	10	100
5.0	2	M512114106*	104.85	104.85	43.6	54.38	10	40



ELBOW 45°-SOC

Size (cm)	DN (inch)	Product Code	H (mm)	L (mm)	S (mm)	D (mm)	Pkg.(Nos.)	
							Std.	Mast.
1.5	½	M512112301*	38.88	31.09	13.4	16.08	100	500
2.0	¾	M512112302*	51	40.76	18.8	22.45	100	200
2.5	1	M512112303*	66.33	51.94	24	28.83	50	250
3.2	1¼	M512112304*	78	62.12	29.1	35.2	10	60
4.0	1½	M512112305*	91.93	73.18	33.6	41.66	10	40
5.0	2	M512112306*	118.89	64.38	43.56	54.38	05	15



TEE-SOC

Size (cm)	DN (inch)	Product Code	H (mm)	L (mm)	S (mm)	D (mm)	Pkg.(Nos.)	
							Std.	Mast.
1.5	½	M512110101*	38.88	31.09	13.4	16.08	100	800
2.0	¾	M512110102*	51	40.76	18.8	22.45	50	500
2.5	1	M512110103*	66.33	51.94	24	28.83	25	300
3.2	1¼	M512110104*	78	62.12	29.1	35.2	10	150
4.0	1½	M512110105*	91.93	73.18	33.6	41.66	10	90
5.0	2	M512110106*	118.89	64.38	43.56	54.38	05	40



CROSS-SOC

Size (cm)	DN (inch)	Product Code	H (mm)	L (mm)	S (mm)	D (mm)	Pkg.(Nos.)	
							Std.	Mast.
1.5	½	M512112401*	45.6	45.6	13.6	16.08	100	200
2.0	¾	M512112402*	62	62	18.5	22.45	25	100
2.5	1	M512112403*	79	79	23.36	28.83	25	100
3.2	1¼	M512112404*	96.5	96.5	28.4	35.2	10	60
4.0	1½	M512112405*	112.48	112.48	33.5	41.66	05	40
5.0	2	M512112406*	144.85	144.85	43.9	54.38	15	15

Note: SOC - SOCKET

* Manufactured as per IS Standard

CTS - as per ASTM D2846



Size (cm)	DN (inch)	Product Code	H (mm)	L (mm)	S (mm)	D (mm)	D1 (inch)	Pkg.(Nos.)	
								Std.	Mast.
1.5	½	M512111301	31.9	24.5	14.2	16.08	1/2	100	600
2.0	¾	M512111302	41.75	31.2	18.75	22.45	3/4	100	600
2.5	1	M512111303	47.6	38.8	23.84	28.83	1	50	300
3.2	1¼	M512111304	54.9	47.7	28.47	35.2	1-1/4	10	200
4.0	1½	M512111305	62.2	56.6	33.5	41.66	1-1/2	10	100
5.0	2	M512111306	74.8	73.7	43.5	54.38	2	10	50



Size (cm)	DN (inch)	Product Code	H (mm)	L (mm)	S (mm)	D (mm)	D1 (inch)	Pkg.(Nos.)	
								Std.	Mast.
2.0x1.5	¾ x ½	M512111314	42	30.9	18.3	22.45	1/2	100	500
2.5x2.0	1 x ¾	M512111316	46	38.8	23.84	28.83	¾	50	450



Size (cm)	DN (inch)	Product Code	H (mm)	L (mm)	S (mm)	D (mm)	D1 (inch)	Pkg.(Nos.)	
								Std.	Mast.
1.5	½	M512111601	34.8	30.2	13.2	16.08	1/2	100	800
2.0	¾	M512111602	42	36.5	18.1	22.45	¾	50	500
2.5	1	M512111603	49.1	44.6	23.3	28.83	1	50	250
3.2	1¼	M512111604	56.3	55	29.2	35.2	1-1/4	10	150
4.0	1½	M512111605	64.2	62.5	33.5	41.66	1-1/2	10	100
5.0	2	M512111606	75.5	78.4	43.3	54.38	2	05	50



Size (cm)	DN (inch)	Product Code	H (mm)	L (mm)	S (mm)	D (mm)	D1 (inch)	Pkg.(Nos.)	
								Std.	Mast.
2.0x1.5	¾ x ½	M512111614	37.5	31.0	18.0	22.45	1/2	50	600



Size (cm)	DN (inch)	Product Code	H (mm)	L (mm)	S (mm)	D (mm)	D1 (inch)	Pkg.(Nos.)	
								Std.	Mast.
1.5	½	M512112601	36.3	38.5	15.2	16.08	1/2	30	210
2.0	¾	M512112602	52.1	53	20.4	22.45	¾	20	180
2.5	1	M512112603	56.8	65	23.8	28.83	1	15	120
3.2	1¼	M512112604	63.44	66.2	28.1	35.2	1-1/4	10	90
4.0	1½	M512112605	76.4	75	33.3	41.66	1-1/2	10	60
5.0	2	M512112606	96.12	87.58	43.3	54.38	2	05	30



Size (cm)	DN (inch)	Product Code	H (mm)	L (mm)	S (mm)	D (mm)	D1 (inch)	Pkg.(Nos.)	
								Std.	Mast.
1.5	½	M512112501	36.3	38.5	15.2	16.08	1/2	10	80
2.0	¾	M512112502	52.1	53	20.4	22.45	¾	10	60
2.5	1	M512112503	56.8	65	23.8	28.83	1	10	40
3.2	1¼	M512112504	63.44	66.2	28.1	35.2	1-1/4	10	30
4.0	1½	M512112505	76.4	75	33.3	41.66	1-1/2	10	20
5.0	2	M512112506	96.12	87.58	43.3	54.38	2	05	15



Only those products bearing the above marks are certified



Size (cm)	DN (inch)	Product Code	H (mm)	L (mm)	S (mm)	D (mm)	D1 (inch)	Pkg.(Nos.)	
								Std.	Mast.
2.0	¾	M5128010202	64.5	54.5	25.6	26.87	¾	25	75
2.5	1	M5128010203	72	50.7	28.8	33.66	1	20	60
3.2	1¼	M5128010204	79.35	64	32.5	42.42	1-1/4	10	70
4.0	1½	M5128010205	87.7	70.52	35.7	48.56	1-1/2	10	60
5.0	2	M5128010206	92	82.4	39	60.63	2	05	35



Size (cm)	DN (inch)	Product Code	H (mm)	L (mm)	S (mm)	D (mm)	D1 (inch)	Pkg.(Nos.)	
								Std.	Mast.
1.5	½	M512806501	90	45	40	21.34	1/2	25	200
2.0	¾	M512806502	105	50	50	26.67	¾	20	140
2.5	1	M512806503	127	55	60	33.4	1	20	80
3.2	1¼	M512806504	167	65	75	42.16	1-1/4	10	40
4.0	1½	M512806505	170	70	75	48.26	1-1/2	05	30
5.0	2	M512806506	175	82	80	60.32	2	05	20



Size (cm)	DN (inch)	Product Code	H (mm)	L (mm)	S (mm)	D (mm)	S1 (mm)	D1 (mm)	Pkg.(Nos.)	
									Std.	Mast.
2.0x1.5	¾ x ½	M512110614	39.54	40.8	18.5	22.45	13.5	16.08	100	500
2.5x1.5	1 x ¾	M512110615	45.14	48.35	23.5	28.83	13.5	16.08	50	350
2.5x2.0	1 x ¾	M512110616	51.38	53.35	23.5	28.83	18.5	22.45	50	300
3.2x1.5	1¼ x ½	A512110617	68.5	71.8	28.5	35.2	13.2	16.08	-	01
3.2x2.0	1¼ x ¾	M512110618	61.6	58	28.13	35.2	18	22.45	25	175
3.2x2.5	1¼ x 1	M512110619	61.6	63.95	28.13	35.2	23	28.83	25	150
5.0x2.5	2 x 1	A512110626	104.9	108.25	43.6	54.38	23.2	28.83	-	01



Size (cm)	DN (inch)	Product Code	H (mm)	L (mm)	S (mm)	D (mm)	S1 (mm)	D1 (mm)	Pkg.(Nos.)	
									Std.	Mast.
1.5x1.5x2.0	½ x ½ x ¾	A512110291	69	44.9	13	16.08	18.4	22.45	-	01
2.0x1.5x2.0	¾ x ½ x ¾	A512110292	65.8	44.9	18.40/13	22.45	18.4	22.45	-	01
2.0x1.5x1.5	¾ x ½ x ½	A512110293	65.8	48.1	18.40/13	22.45	13	16.08	-	01
2.0x2.0x1.5	¾ x ¾ x ½	M512110214	61.5	39.25	18.4	22.45	13.3	16.08	50	300
2.5 x 2.5x1.5	1 x 1 x ½	M512110215	67.5	47.1	23.6	28.83	13.3	16.08	25	300
2.5x2.5x2.0	1 x 1 x ¾	M512110216	78.75	51.36	23.8	28.83	18.5	22.45	25	75
3.2x3.2x1.5	1¼ x 1¼ x ½	M512110217	76.26	53.65	28.47	34.85	13.2	16.08	10	100
3.2x3.2x2.0	1¼ x 1¼ x ¾	M512110218	82.6	58.08	28.2	34.85	18.2	22.45	10	120
3.2x3.2x2.5	1¼ x 1¼ x 1	M512110219	88.9	63.3	28.3	34.85	23.52	28.83	10	80
4.0x4.0x1.5	1½ x 1½ x ½	M512110220	105.74	59.81	33.48	41.2	13.9	16.08	10	70
4.0x4.0x2.0	1½ x 1½ x ¾	M512110221	106	65.56	33.2	41.2	18.5	22.45	10	60
4.0x4.0x2.5	1½ x 1½ x 1	M512110222	99.12	68.7	33.36	41.2	23.31	28.83	10	30
4.0x4.0x3.2	1½ x 1½ x 1¼	M512110223	105.72	76	33.49	41.2	28	35.2	10	60
5.0x5.0x1.5	2 x 2 x ½	M512110224	106.5	75	43.47	54.38	13.55	16.08	05	30
5.0x5.0x2.0	2 x 2 x ¾	M512110225	133.6	78	43.95	54.38	18.45	22.45	05	35
5.0x5.0x2.5	2 x 2 x 1	M512110226	119	82	43.4	54.38	23.28	28.83	05	15
5.0x5.0x3.2	2 x 2 x 1¼	M512110227	133.45	89	44.1	54.38	28	35.2	05	30
5.0x5.0x4.0	2 x 2 x 1½	M512110228	133	93.25	43.2	54.38	33.18	41.66	05	25



Size (cm)	DN (inch)	Product Code	H (mm)	L (mm)	S (mm)	D (mm)	D1 (mm)	Pkg.(Nos.)	
								Std.	Mast.
6.5x2.5	2½ x 1	A5121110031*	166	139	45.7	73.38	28.83	-	01
6.5x4.0	2½ x 1½	M5121110033	174	119	48.6	73.38	41.66	-	15
6.5x5.0	2½ x 2	M5121110034	174	124	48.6	73.38	54.38	-	12
8.0x2.5	3 x 1	A5121110037*	195	161	48.4	89.31	28.83	-	01
8.0x4.0	3 x 1½	M5121110039	196	137.5	50	89.31	41.66	-	10
8.0x5.0	3 x 2	M5121110040	196	140.5	50	89.31	54.38	-	10
10.0x4.0	4 x 1½	M5121110046	240	162.3	58	114.76	41.66	-	05
10.0x5.0	4 x 2	M5121110047	240	165.32	58	114.76	54.38	-	05
15.0x5.0	6 x 2	A5121110055*	350	285	78.2	168.83	54.38	-	01

re: SOC - SOCKET, THD - THREADED, ^ Manufactured as per IS Standard.
 aducer fittings are professionally assembled using Astral fittings and bushings. Quantity as per order.
 re: Fabricated reducer fittings are not eligible for return to the manufacturer. SOC - SOCKET, SPG - SPIGOT, THD - THREADED
 the items where product code starts with "A" are assembled items, ^ Manufactured as per IS Standard.

CTS - as per ASTM D2846



Size (cm)	DN (inch)	Product Code	H (mm)	L (mm)	S (mm)	D (mm)	D1 (inch)	Pkg.(Nos.)	
								Std.	Mast.
1.5	½	M512111301	31.9	24.5	14.2	16.08	1/2	100	600
2.0	¾	M512111302	41.75	31.2	18.75	22.45	3/4	100	600
2.5	1	M512111303	47.6	38.8	23.84	28.83	1	50	300
3.2	1¼	M512111304	54.9	47.7	28.47	35.2	1-1/4	10	200
4.0	1½	M512111305	62.2	56.6	33.5	41.66	1-1/2	10	100
5.0	2	M512111306	74.8	73.7	43.5	54.38	2	10	50



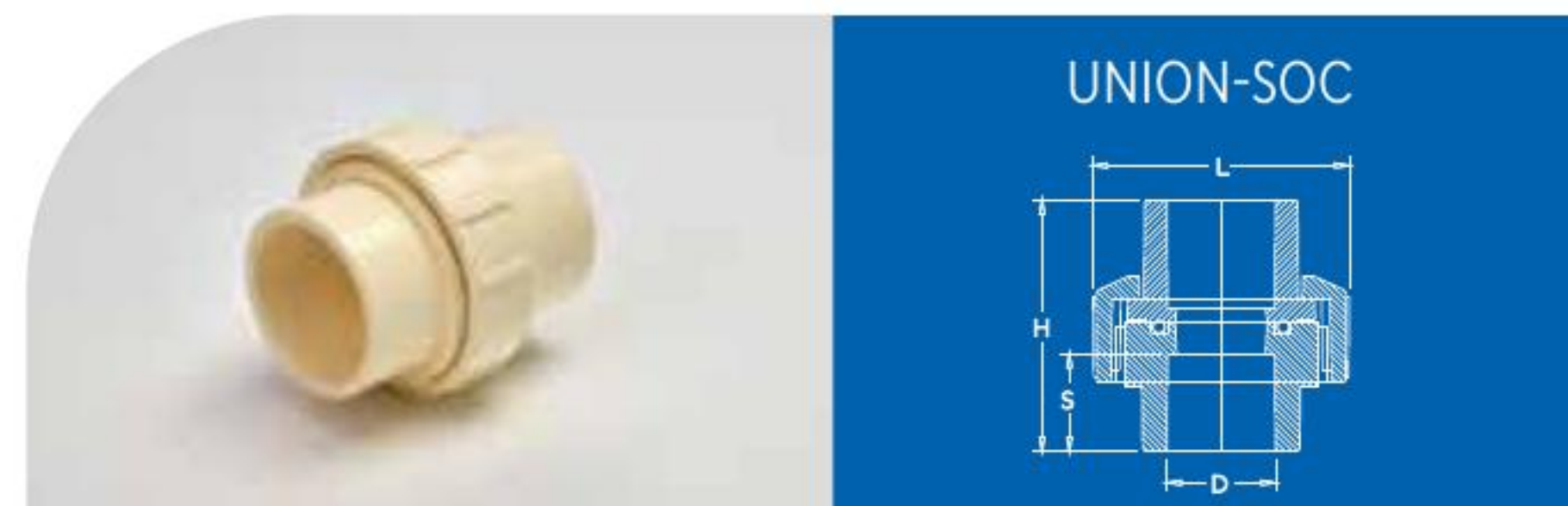
Size (cm)	DN (inch)	Product Code	H (mm)	L (mm)	S (mm)	D (mm)	D1 (inch)	Pkg.(Nos.)	
								Std.	Mast.
2.0x1.5	¾ x ½	M512111314	42	30.9	18.3	22.45	1/2	100	500
2.5x2.0	1 x ¾	M512111316	46	38.8	23.84	28.83	¾	50	450



Size (cm)	DN (inch)	Product Code	H (mm)	L (mm)	S (mm)	D (mm)	D1 (inch)	Pkg.(Nos.)	
								Std.	Mast.
1.5	½	M512111601	34.8	30.2	13.2	16.08	1/2	100	800
2.0	¾	M512111602	42	36.5	18.1	22.45	¾	50	500
2.5	1	M512111603	49.1	44.6	23.3	28.83	1	50	250
3.2	1¼	M512111604	56.3	55	29.2	35.2	1-1/4	10	150
4.0	1½	M512111605	64.2	62.5	33.5	41.66	1-1/2	10	100
5.0	2	M512111606	75.5	78.4	43.3	54.38	2	05	50



Size (cm)	DN (inch)	Product Code	H (mm)	L (mm)	S (mm)	D (mm)	D1 (inch)	Pkg.(Nos.)	
								Std.	Mast.
2.0x1.5	¾ x ½	M512111614	37.5	31.0	18.0	22.45	1/2	50	600



Size (cm)	DN (inch)	Product Code	H (mm)	L (mm)	S (mm)	D (mm)	D1 (inch)	Pkg.(Nos.)	
								Std.	Mast.
1.5	½	M512112601	36.3	38.5	15.2	16.08	1/2	30	210
2.0	¾	M512112602	52.1	53	20.4	22.45	¾	20	180
2.5	1	M512112603	56.8	65	23.8	28.83	1	15	120
3.2	1¼	M512112604	63.44	66.2	28.1	35.2	1-1/4	10	90
4.0	1½	M512112605	76.4	75	33.3	41.66	1-1/2	10	60
5.0	2	M512112606	96.12	87.58	43.3	54.38	2	05	30



Size (cm)	DN (inch)	Product Code	H (mm)	L (mm)	S (mm)	D (mm)	D1 (inch)	Pkg.(Nos.)	
								Std.	Mast.
1.5	½	M512112501	36.3	38.5	15.2	16.08	1/2	10	80
2.0	¾	M512112502	52.1	53	20.4	22.45	¾	10	60
2.5	1	M512112503	56.8	65	23.8	28.83	1	10	40
3.2	1¼	M512112504	63.44	66.2	28.1	35.2	1-1/4	10	30
4.0	1½	M512112505	76.4	75	33.3	41.66	1-1/2	10	20
5.0	2	M512112506	96.12	87.58	43.3	54.38	2	05	15



Only those products bearing the above marks are certified



Size (cm)	DN (inch)	Product Code	H (mm)	L (mm)	S (mm)	D (mm)	D1 (inch)	Pkg.(Nos.)	
								Std.	Mast.
2.0	¾	M5128010202	64.5	54.5	25.6	26.87	¾	25	75
2.5	1	M5128010203	72	50.7	28.8	33.66	1	20	60
3.2	1¼	M5128010204	79.35	64	32.5	42.42	1-1/4	10	70
4.0	1½	M5128010205	87.7	70.52	35.7	48.56	1-1/2	10	60
5.0	2	M5128010206	92	82.4	39	60.63	2	05	35



Size (cm)	DN (inch)	Product Code	H (mm)	L (mm)	S (mm)	D (mm)	D1 (inch)	Pkg.(Nos.)	
								Std.	Mast.
1.5	½	M512806501	90	45	40	21.34	1/2	25	200
2.0	¾	M512806502	105	50	50	26.67	¾	20	140
2.5	1	M512806503	127	55	60	33.4	1	20	80
3.2	1¼	M512806504	167	65	75	42.16	1-1/4	10	40
4.0	1½	M512806505	170	70	75	48.26	1-1/2	05	30
5.0	2	M512806506	175	82	80	60.32	2	05	20



Size (cm)	DN (inch)	Product Code	H (mm)	L (mm)	S (mm)	D (mm)	S1 (mm)	D1 (mm)	Pkg.(Nos.)	
									Std.	Mast.
2.0x1.5	¾ x ½	M512110614	39.54	40.8	18.5	22.45	13.5	16.08	100	500
2.5x1.5	1 x ¾	M512110615	45.14	48.35	23.5	28.83	13.5	16.08	50	350
2.5x2.0	1 x ¾	M512110616	51.38	53.35	23.5	28.83	18.5	22.45	50	300
3.2x1.5	1¼ x ½	A512110617	68.5	71.8	28.5	35.2	13.2	16.08	-	01
3.2x2.0	1¼ x ¾	M512110618	61.6	58	28.13	35.2	18	22.45	25	175
3.2x2.5	1¼ x 1	M512110619	61.6	63.95	28.13	35.2	23	28.83	25	150
5.0x2.5	2 x 1	A512110626	104.9	108.25	43.6	54.38	23.2	28.83	-	01



Size (cm)	DN (inch)	Product Code	H (mm)	L (mm)	S (mm)	D (mm)	S1 (mm)	D1 (mm)	Pkg.(Nos.)	
									Std.	Mast.
1.5x1.5x2.0	½ x ½ x ¾	A512110291	69	44.9	13	16.08	18.4	22.45	-	01
2.0x1.5x2.0	¾ x ½ x ¾	A512110292	65.8	44.9	18.40/13	22.45	18.4	22.45	-	01
2.0x1.5x1.5	¾ x ½ x ½	A512110293	65.8	48.1	18.40/13	22.45	13	16.08	-	01
2.0x2.0x1.5	¾ x ¾ x ½	M512110214	61.5	39.25	18.4	22.45	13.3	16.08	50	300
2.5 x 2.5x1.5	1 x 1 x ½	M512110215	67.5	47.1	23.6	28.83	13.3	16.08	25	300
2.5x2.5x2.0	1 x 1 x ¾	M512110216	78.75	51.36	23.8	28.83	18.5	22.45	25	75
3.2x3.2x1.5	1¼ x 1¼ x ½	M512110217	76.26	53.65	28.47	34.85	13.2	16.08	10	100
3.2x3.2x2.0	1¼ x 1¼ x ¾	M512110218	82.6	58.08	28.2	34.85	18.2	22.45	10	120
3.2x3.2x2.5	1¼ x 1¼ x 1	M512110219	88.9	63.3	28.3	34.85	23.52	28.83	10	80
4.0x4.0x1.5	1½ x 1½ x ½	M512110220	105.74	59.81	33.48	41.2	13.9	16.08	10	70
4.0x4.0x2.0	1½ x 1½ x ¾	M512110221	106	65.56	33.2	41.2	18.5	22.45	10	60
4.0x4.0x2.5	1½ x 1½ x 1	M512110222	99.12	68.7	33.36	41.2	23.31	28.83	10	30
4.0x4.0x3.2	1½ x 1½ x 1¼	M512110223	105.72	76	33.49	41.2	28	35.2	10	60
5.0x5.0x1.5	2 x 2 x ½	M512110224	106.5	75	43.47	54.38	13.55	16.08	05	30
5.0x5.0x2.0	2 x 2 x ¾	M512110225	133.6	78	43.95	54.38	18.45	22.45	05	35
5.0x5.0x2.5	2 x 2 x 1	M512110226	119	82	43.4	54.38	23.28	28.83	05	15
5.0x5.0x3.2	2 x 2 x 1¼	M512110227	133.45	89	44.1	54.38	28	35.2	05	30
5.0x5.0x4.0	2 x 2 x 1½	M512110228	133	93.25	43.2	54.38	33.18	41.66	05	25



Size (cm)	DN (inch)	Product Code	H (mm)	L (mm)	S (mm)	D (mm)	D1 (mm)	Pkg.(Nos.)	
								Std.	Mast.
6.5x2.5	2½ x 1	A5121110031*	166	139	45.7	73.38	28.83	-	01
6.5x4.0	2½ x 1½	M5121110033	174	119	48.6	73.38	41.66	-	15
6.5x5.0	2½ x 2	M5121110034	174	124	48.6	73.38	54.38	-	12
8.0x2.5	3 x 1	A5121110037*	195	161	48.4	89.31	28.83	-	01
8.0x4.0	3 x 1½	M5121110039	196	137.5	50	89.31	41.66	-	10
8.0x5.0	3 x 2	M5121110040	196	140.5	50	89.31	54.38	-	10
10.0x4.0	4 x 1½	M5121110046	240	162.3	58	114.76	41.66	-	05
10.0x5.0	4 x 2	M5121110047	240	165.32	58	114.76	54.38	-	05
15.0x5.0	6 x 2	A5121110055*	350	285	78.2	168.83	54.38	-	01

*:e: - SOCKET, THD - THREADED, ^ Manufactured as per IS Standard.

Reducer fittings are professionally assembled using Astral fittings and bushings. Quantity as per order.
 :e: Fabricated reducer fittings are not eligible for return to the manufacturer. SOC - SOCKET, SPG - SPIGOT, THD - THREADED
 the items where product code starts with "A" are assembled items, ^ Manufactured as per IS Standard.

CTS - as per ASTM D2846



Size (cm)	DN (inch)	Product Code	H (mm)	L (mm)	S (mm)	D (mm)	S1 (mm)	D1 (mm)	Pkg.(Nos.)	
									Std.	Mast.
2.0x1.5	¾ x ½	M512111914	21.5	26.7	13	16.08	18.3	22.2	100	1000
2.5x1.5	1 x ½	M512111915	26.6	34.5	13.1	16.08	23.3	28.6	100	600
2.5x2.0	1 x ¾	M512111916	26.6	34.5	18.6	22.45	23.3	28.6	100	800
3.2x1.5	1¼ x ½	M512111917	31.5	41.8	13.2	16.08	28.2	34.9	10	300
3.2x2.0	1¼ x ¾	M512111918	31.5	41.8	18	22.45	28.2	34.9	10	300
3.2x2.5	1¼ x 1	M512111919	31.5	41.8	23.2	28.83	28.2	34.9	10	300
4.0x1.5	1½ x ½	M512111920	36.4	49.5	13.1	16.08	33.1	41.3	10	200
4.0x2.0	1½ x ¾	M512111921	36.4	49.5	18	22.45	33.1	41.3	10	200
4.0x2.5	1½ x 1	M512111922	36.4	49.5	23	28.83	33.1	41.3	10	200
4.0x3.2	1½ x 1¼	M512111923	36.4	49.5	28.2	35.2	33.1	41.3	10	200
5.0x1.5	2 x ½	M512111924	46.8	64.6	13.2	16.08	43.5	54	10	100
5.0x2.0	2 x ¾	M512111925	46.8	64.6	18.2	22.45	43.5	54	10	150
5.0x2.5	2 x 1	M512111926	46.8	64.6	23.2	28.83	43.5	54	10	100
5.0x3.2	2 x 1¼	M512111927	46.8	64.6	28.3	35.2	43.5	54	10	100
5.0x4.0	2 x 1½	M512111928	46.8	64.6	33.5	41.66	43.5	54	10	100



Size (cm)	DN (inch)	Product Code	H (mm)	L (mm)	S (mm)	D (mm)	S1 (mm)	D1 (mm)	Pkg.(Nos.)	
									Std.	Mast.
6.5x2.5	2½ x 1	A512112131*	58	79.3	23.2	28.83	45	73	01	01
6.5x4.0	2½ x 1½	M512112133	54	79.3	34	41.66	45	73	05	60
6.5x5.0	2½ x 2	M512112134	54	79.3	43.7	54.38	45	73	05	25
8.0x4.0	3 x 1½	M512112139	57	95.3	34	41.66	48	89	05	40
8.0x5.0	3 x 2	M512112140	57	95.3	43.7	54.38	48	89	05	20
10.0x4.0	4 x 1½	M512112146	67	120.78	34	41.66	58	114.3	01	10
10.0x5.0	4 x 2	M512112147	67	120.78	43.7	54.38	58	114.3	01	10



Size (cm)	DN (inch)	Product Code	H (mm)	L (mm)	S (mm)	D (mm)	S1 (mm)	D1 (mm)	Pkg.(Nos.)	
									Std.	Mast.
1.5 x 1.5	½ x ½	M512112101	21	26.74	14	16.08	18.8	21.34	100	1500
2.0 x 2.0	¾ x ¾	M512112102	21.8	32.3	18	22.45	18.6	26.67	100	1000
2.5 x 2.5	1 x 1	M512112103	55	40.6	23.7	28.83	29	33.4	50	200
3.2 x 3.2	1¼ x 1¼	M512112104	56	48	29	35.2	24	42.16	25	150
4.0 x 4.0	1½ x 1½	M512112105	73	56.8	34	41.66	36.5	48.26	10	80
5.0 x 5.0	2 x 2	M512112106	86.5	68.5	44	54.38	40	60.32	10	50



Size (cm)	DN (inch)	Product Code	H (mm)	L (mm)	S (mm)	D (mm)	S1 (mm)	D1 (mm)	Pkg.(Nos.)	
									Std.	Mast.
2.0 x 1.5	¾ x ½	M512111114	33.6	27.8	18.2	22.45	13.1	16.08	100	1000
2.5 x 1.5	1 x ½	M512111115	40.8	34.3	24	28.83	13	16.08	100	500
2.5 x 2.0	1 x ¾	M512111116	45	34.8	23.4	28.83	18	22.45	50	450
3.2 x 1.5	1¼ x ½	M512111117	43.3	41.5	28.1	35.2	13.1	16.08	50	300
3.2 x 2.0	1¼ x ¾	M512111118	49.5	41.7	28.2	35.2	18.2	22.45	50	300
3.2 x 2.5	1¼ x 1	M512111119	55	41.7	28.87	35.2	23	28.83	50	200
4.0 x 1.5	1½ x ½	M512111120	50.5	49.62	33.52	41.66	14.4	16.08	25	75
4.0 x 2.0	1½ x ¾	M512111121	55	48.98	33.7	41.66	18	22.45	25	75
4.0 x 2.5	1½ x 1	M512111122	60	48.98	33.7	41.66	23	28.83	25	75
4.0 x 3.2	1½ x 1¼	M512111123	65.3	48.98	33.87	41.66	28	35.2	25	50
5.0 x 1.5	2 x ½	M512111124	60	63.97	43.7	54.38	13	16.08	10	40
5.0 x 2.0	2 x ¾	M512111125	64.58	64.23	43.4	54.38	18.18	22.45	10	90
5.0 x 2.5	2 x 1	M512111126	70.5	64.16	43.7	54.38	23	28.83	10	30
5.0 x 3.2	2 x 1¼	M512111127	75	64.58	43.85	54.38	28.4	35.2	10	30
5.0 x 4.0	2 x 1½	M512111128	77.8	64.32	43.2	54.38	33.14	41.66	10	70

Reducer fittings are professionally assembled using Astral fittings and bushings. Quantity as per order.
 * Fabricated reducer fittings are not eligible for return to the manufacturer. SOC - SOCKET, SPG - SPIGOT
 ^ Items where product code starts with "A" are assembled items, ^ Manufactured as per IS Standard.

Reducer fittings are professionally assembled using Astral fittings and bushings. Quantity as per order.
 * Fabricated reducer fittings are not eligible for return to the manufacturer. SOC - SOCKET
 ^ Items where product code starts with "A" are assembled items, ^ Manufactured as per IS Standard.



Only those products bearing the above marks are certified



Size (cm)	DN (inch)	Product Code	H (mm)	L (mm)	S (mm)	D (mm)	S1 (mm)	D1 (mm)	Pkg.(Nos.)	
									Std.	Mast.
6.5 x 4.0	2½ x 1½	M5121110333	97.1	87.9	45.8	73.38	34	41.66	01	40
6.5 x 5.0	2½ x 2	M5121110334	101.1	87.7	45	73.38	44	54.38	01	40
8.0 x 4.0	3 x 1½	M5121110339	102.6	103.5	48.6	89.28	34.1	41.66	30	30
8.0 x 5.0	3 x 2	M5121110340	108.5	103.3	49	89.28	44.4	54.38	30	30
10.0 x 4.0	4 x 1½	M5121110346	121.4	130.1	58.5	114.73	35	41.66	16	16
10.0 x 5.0	4 x 2	M5121110347	125.73	130.3	58.7	114.73	45	54.38	16	16



Size (cm)	DN (inch)	Product Code	H (mm)	L (mm)	S (mm)	D (mm)	S1 (mm)	D1 (mm)	Pkg.(Nos.)	
									Std.	Mast.
2.5 x 2.5	1 x 1	M512112203	49.6	41	21.8	33.66	23.6	28.83	50	200



Size (cm)	DN (inch)	Product Code	H (mm)	L (mm)	S (mm)	D (mm)	Pkg.(Nos.)	
							Std.	Mast.
2.0	¾	M512112402	44.4	44.4	18.5	22.45	50	300



Size (cm)	DN (inch)	Product Code	H (mm)	L (mm)	S (mm)	D (mm)	Pkg.(Nos.)	
							Std.	Mast.
2.0	¾	M512112502	61.5	44.4	18.5	22.45	50	250



Size (cm)	DN (inch)	Product Code	H (mm)	L (mm)	S (mm)	D (mm)	Pkg.(Nos.)	
							Std.	Mast.
2.5	1	M512113403	27.4	107.61	23.78	28.83	10	60
3.2	1¼	M512113404	33.72	116.05	29.37	35.2	05	50
4.0	1½	M512113405	37.28	125.5	33.88	41.66	05	35
5.0	2	M512113406	47.3	151	42.85	54.38	05	25



Size (cm)	DN (inch)	Product Code	H (mm)	L (mm)	S (mm)	D (mm)	D1 (inch)	Pkg.(Nos.)	
								Std.	Mast.
1.5 x 1.5	½ x ½	M512110701	45.55	36.7	13.5	16.08	1/2	50	200
2.0 x 1.5	¾ x ½	M512110714	50.72	42.7	18.6	22.45	1/2	50	150
2.0 x 2.0	¾ x ¾	M512110702	54.2	42	18	22.45	3/4	25	100
2.5 x 1.5	1 x ½	M512110715	55.45	53.49	22.9	28.83	1/2	25	100
2.5 x 2.0	1 x ¾	M512110716	60.63	50.3	23.7	28.83	3/4	25	100
2.5 x 2.5	1 x 1	M512110703	61.1	56	23.3	28.83	1	25	50
3.2 x 1.5	1¼ x ½	M512110517	67.47	57.85	28.2	35.2	1/2	25	75
3.2 x 2.0	1¼ x ¾	M512110518	69.98	59.85	28.2	35.2	3/4	30	60
3.2 x 3.2	1¼ x 1¼	M512110704	76	65.3	28.4	35.2	1-1/4	10	30



Size (cm)	DN (inch)	Product Code	H (mm)	L (mm)	S (mm)	D (mm)	D1 (inch)	Pkg.(Nos.)	
								Std.	Mast.
2.0 x 1.5	¾ x ½	M512114723	51.2	73	18.8	22.45	1/2	25	100

CTS - as per ASTM D2846



Size (cm)	DN (inch)	Product Code	H (mm)	L (mm)	S (mm)	D (mm)	S1 (mm)	D1 (mm)	Pkg.(Nos.)	
									Std.	Mast.
2.0x1.5	¾ x ½	M512111914	21.5	26.7	13	16.08	18.3	22.2	100	1000
2.5x1.5	1 x ½	M512111915	26.6	34.5	13.1	16.08	23.3	28.6	100	600
2.5x2.0	1 x ¾	M512111916	26.6	34.5	18.6	22.45	23.3	28.6	100	800
3.2x1.5	1¼ x ½	M512111917	31.5	41.8	13.2	16.08	28.2	34.9	10	300
3.2x2.0	1¼ x ¾	M512111918	31.5	41.8	18	22.45	28.2	34.9	10	300
3.2x2.5	1¼ x 1	M512111919	31.5	41.8	23.2	28.83	28.2	34.9	10	300
4.0x1.5	1½ x ½	M512111920	36.4	49.5	13.1	16.08	33.1	41.3	10	200
4.0x2.0	1½ x ¾	M512111921	36.4	49.5	18	22.45	33.1	41.3	10	200
4.0x2.5	1½ x 1	M512111922	36.4	49.5	23	28.83	33.1	41.3	10	200
4.0x3.2	1½ x 1¼	M512111923	36.4	49.5	28.2	35.2	33.1	41.3	10	200
5.0x1.5	2 x ½	M512111924	46.8	64.6	13.2	16.08	43.5	54	10	100
5.0x2.0	2 x ¾	M512111925	46.8	64.6	18.2	22.45	43.5	54	10	150
5.0x2.5	2 x 1	M512111926	46.8	64.6	23.2	28.83	43.5	54	10	100
5.0x3.2	2 x 1¼	M512111927	46.8	64.6	28.3	35.2	43.5	54	10	100
5.0x4.0	2 x 1½	M512111928	46.8	64.6	33.5	41.66	43.5	54	10	100



Size (cm)	DN (inch)	Product Code	H (mm)	L (mm)	S (mm)	D (mm)	S1 (mm)	D1 (mm)	Pkg.(Nos.)	
									Std.	Mast.
6.5x2.5	2½ x 1	A512112131*	58	79.3	23.2	28.83	45	73	01	01
6.5x4.0	2½ x 1½	M512112133	54	79.3	34	41.66	45	73	05	60
6.5x5.0	2½ x 2	M512112134	54	79.3	43.7	54.38	45	73	05	25
8.0x4.0	3 x 1½	M512112139	57	95.3	34	41.66	48	89	05	40
8.0x5.0	3 x 2	M512112140	57	95.3	43.7	54.38	48	89	05	20
10.0x4.0	4 x 1½	M512112146	67	120.78	34	41.66	58	114.3	01	10
10.0x5.0	4 x 2	M512112147	67	120.78	43.7	54.38	58	114.3	01	10



Size (cm)	DN (inch)	Product Code	H (mm)	L (mm)	S (mm)	D (mm)	S1 (mm)	D1 (mm)	Pkg.(Nos.)	
									Std.	Mast.
1.5 x 1.5	½ x ½	M512112101	21	26.74	14	16.08	18.8	21.34	100	1500
2.0 x 2.0	¾ x ¾	M512112102	21.8	32.3	18	22.45	18.6	26.67	100	1000
2.5 x 2.5	1 x 1	M512112103	55	40.6	23.7	28.83	29	33.4	50	200
3.2 x 3.2	1¼ x 1¼	M512112104	56	48	29	35.2	24	42.16	25	150
4.0 x 4.0	1½ x 1½	M512112105	73	56.8	34	41.66	36.5	48.26	10	80
5.0 x 5.0	2 x 2	M512112106	86.5	68.5	44	54.38	40	60.32	10	50



Size (cm)	DN (inch)	Product Code	H (mm)	L (mm)	S (mm)	D (mm)	S1 (mm)	D1 (mm)	Pkg.(Nos.)	
									Std.	Mast.
2.0 x 1.5	¾ x ½	M512111114	33.6	27.8	18.2	22.45	13.1	16.08	100	1000
2.5 x 1.5	1 x ½	M512111115	40.8	34.3	24	28.83	13	16.08	100	500
2.5 x 2.0	1 x ¾	M512111116	45	34.8	23.4	28.83	18	22.45	50	450
3.2 x 1.5	1¼ x ½	M512111117	43.3	41.5	28.1	35.2	13.1	16.08	50	300
3.2 x 2.0	1¼ x ¾	M512111118	49.5	41.7	28.2	35.2	18.2	22.45	50	300
3.2 x 2.5	1¼ x 1	M512111119	55	41.7	28.87	35.2	23	28.83	50	200
4.0 x 1.5	1½ x ½	M512111120	50.5	49.62	33.52	41.66	14.4	16.08	25	75
4.0 x 2.0	1½ x ¾	M512111121	55	48.98	33.7	41.66	18	22.45	25	75
4.0 x 2.5	1½ x 1	M512111122	60	48.98	33.7	41.66	23	28.83	25	75
4.0 x 3.2	1½ x 1¼	M512111123	65.3	48.98	33.87	41.66	28	35.2	25	50
5.0 x 1.5	2 x ½	M512111124	60	63.97	43.7	54.38	13	16.08	10	40
5.0 x 2.0	2 x ¾	M512111125	64.58	64.23	43.4	54.38	18.18	22.45	10	90
5.0 x 2.5	2 x 1	M512111126	70.5	64.16	43.7	54.38	23	28.83	10	30
5.0 x 3.2	2 x 1¼	M512111127	75	64.58	43.85	54.38	28.4	35.2	10	30
5.0 x 4.0	2 x 1½	M512111128	77.8	64.32	43.2	54.38	33.14	41.66	10	70

Reducer fittings are professionally assembled using Astral fittings and bushings. Quantity as per order.
 * Fabricated reducer fittings are not eligible for return to the manufacturer. SOC - SOCKET, SPG - SPIGOT
 ^ Items where product code starts with "A" are assembled items, ^ Manufactured as per IS Standard.

Reducer fittings are professionally assembled using Astral fittings and bushings. Quantity as per order.
 * Fabricated reducer fittings are not eligible for return to the manufacturer. SOC - SOCKET
 ^ Items where product code starts with "A" are assembled items, ^ Manufactured as per IS Standard.



Only those products bearing the above marks are certified



Size (cm)	DN (inch)	Product Code	H (mm)	L (mm)	S (mm)	D (mm)	S1 (mm)	D1 (mm)	Pkg.(Nos.)	
									Std.	Mast.
6.5 x 4.0	2½ x 1½	M5121110333	97.1	87.9	45.8	73.38	34	41.66	01	40
6.5 x 5.0	2½ x 2	M5121110334	101.1	87.7	45	73.38	44	54.38	01	40
8.0 x 4.0	3 x 1½	M5121110339	102.6	103.5	48.6	89.28	34.1	41.66	30	30
8.0 x 5.0	3 x 2	M5121110340	108.5	103.3	49	89.28	44.4	54.38	30	30
10.0 x 4.0	4 x 1½	M5121110346	121.4	130.1	58.5	114.73	35	41.66	16	16
10.0 x 5.0	4 x 2	M5121110347	125.73	130.3	58.7	114.73	45	54.38	16	16



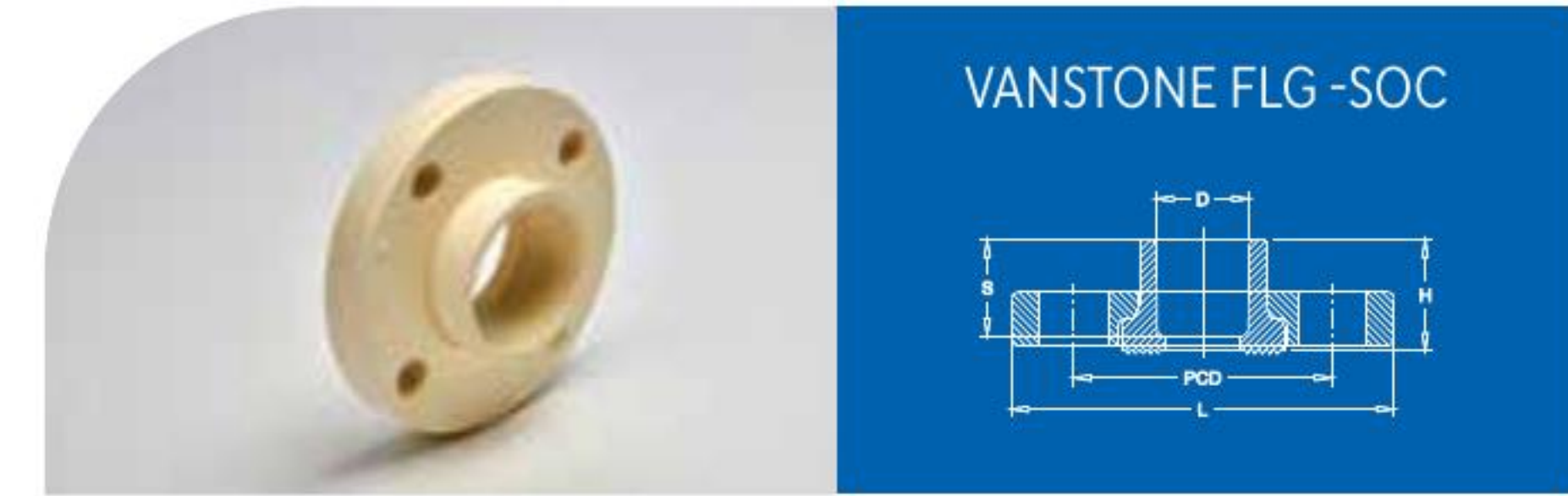
Size (cm)	DN (inch)	Product Code	H (mm)	L (mm)	S (mm)	D (mm)	S1 (mm)	D1 (mm)	Pkg.(Nos.)	
									Std.	Mast.
2.5 x 2.5	1 x 1	M512112203	49.6	41	21.8	33.66	23.6	28.83	50	200



Size (cm)	DN (inch)	Product Code	H (mm)	L (mm)	S (mm)	D (mm)	Pkg.(Nos.)	
							Std.	Mast.
2.0	¾	M512112402	44.4	44.4	18.5	22.45	50	300



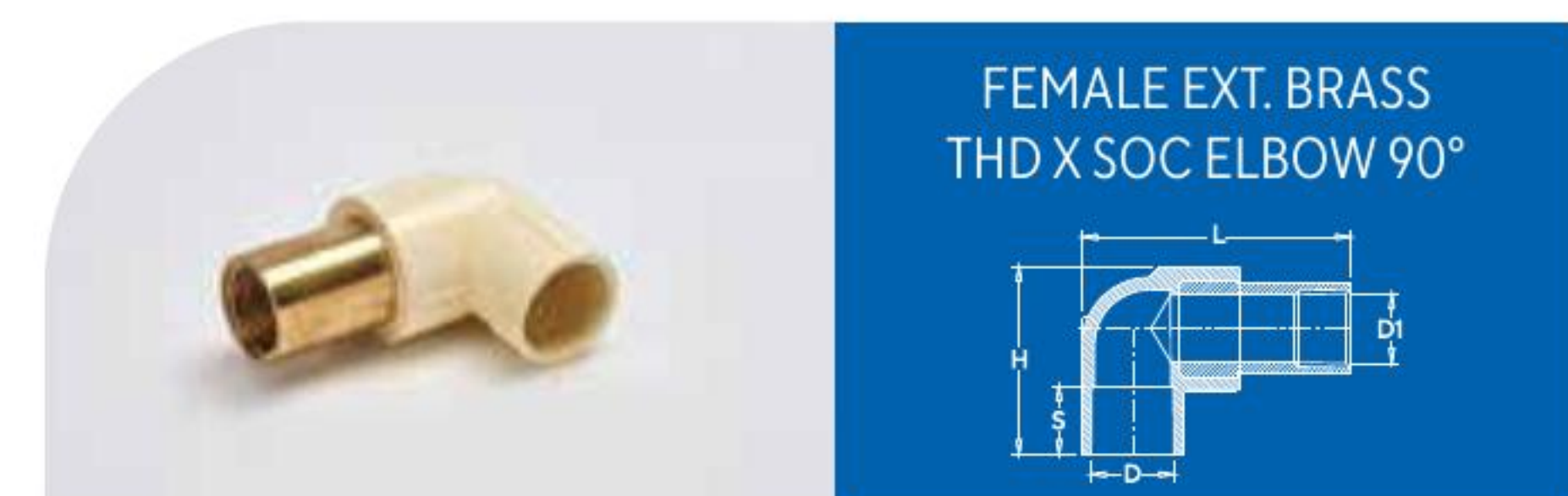
Size (cm)	DN (inch)	Product Code	H (mm)	L (mm)	S (mm)	D (mm)	Pkg.(Nos.)	
							Std.	Mast.
2.0	¾	M512112502	61.5	44.4	18.5	22.45	50	250



Size (cm)	DN (inch)	Product Code	H (mm)	L (mm)	S (mm)	D (mm)	Pkg.(Nos.)	
							Std.	Mast.
2.5	1	M512113403	27.4	107.61	23.78	28.83	10	60
3.2	1¼	M512113404	33.72	116.05	29.37	35.2	05	50
4.0	1½	M512113405	37.28	125.5	33.88	41.66	05	35
5.0	2	M512113406	47.3	151	42.85	54.38	05	25



Size (cm)	DN (inch)	Product Code	H (mm)	L (mm)	S (mm)	D (mm)	D1 (inch)	Pkg.(Nos.)	
								Std.	Mast.
1.5 x 1.5	½ x ½	M512110701	45.55	36.7	13.5	16.08	1/2	50	200
2.0 x 1.5	¾ x ½	M512110714	50.72	42.7	18.6	22.45	1/2	50	150
2.0 x 2.0	¾ x ¾	M512110702	54.2	42	18	22.45	3/4	25	100
2.5 x 1.5	1 x ½	M512110715	55.45	53.49	22.9	28.83	1/2	25	100
2.5 x 2.0	1 x ¾	M512110716	60.63	50.3	23.7	28.83	3/4	25	100
2.5 x 2.5	1 x 1	M512110703	61.1	56	23.3	28.83	1	25	50
3.2 x 1.5	1¼ x ½	M512110517	67.47	57.85	28.2	35.2	1/2	25	75
3.2 x 2.0	1¼ x ¾	M512110518	69.98	59.85	28.2	35.2	3/4	30	60
3.2 x 3.2	1¼ x 1¼	M512110704	76	65.3	28.4	35.2	1-1/4	10	30

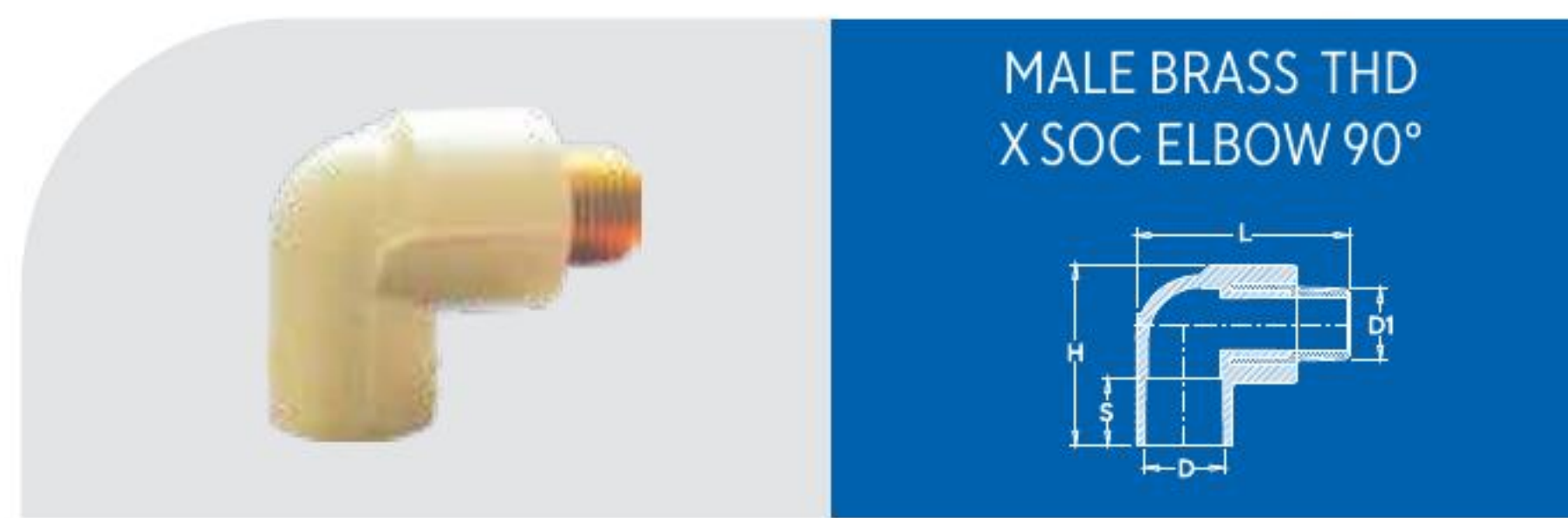


Size (cm)	DN (inch)	Product Code	H (mm)	L (mm)	S (mm)	D (mm)	D1 (inch)	Pkg.(Nos.)	
								Std.	Mast.
2.0 x 1.5	¾ x ½	M512114723	51.2	73	18.8	22.45	1/2	25	100

CTS - as per ASTM D2846



Size (cm)	DN (inch)	Product Code	H (mm)	L (mm)	S (mm)	D (mm)	D1 (inch)	Pkg.(Nos.)	
								Std.	Mast.
2.0x1.5	¾ x ½	M5121114114	50	54	18.3	22.45	1/2	100	250



Size (cm)	DN (inch)	Product Code	H (mm)	L (mm)	S (mm)	D (mm)	D1 (inch)	Pkg.(Nos.)	
								Std.	Mast.
2.0x1.5	¾ x ½	M512114823	51.2	60.5	18.8	22.45	1/2	10	100



Size (cm)	DN (inch)	Product Code	H (mm)	L (mm)	S (mm)	D (mm)	D1 (inch)	Pkg.(Nos.)	
								Std.	Mast.
1.5x1.5x1.5	½ x ½ x ½	M512110301	51.66	38	13.7	16.08	1/2	50	200
2.0x2.0x1.5	¾ x ¾ x ½	M512110314	68.32	43	18	22.45	1/2	25	100
2.0x2.0x2.0	¾ x ¾ x ¾	M512110302	61.9	47	18.6	22.45	3/4	25	100
2.5x2.5x1.5	1 x 1 x ½	M512110315	78.86	50.5	23.4	28.83	1/2	25	75
2.5x2.5x2.0	1 x 1 x ¾	M512110316	77.78	51	24.57	28.83	3/4	25	75
2.5x2.5x2.5	1 x 1 x 1	M512110303	78	57	24.57	28.83	1	10	50
3.2x3.2x3.2	1 ¼ x 1 ¼ x 1 ¼	M512110304	94.6	66.9	28.7	35.2	1-1/4	05	30
3.2x3.2x1.5	1 ¼ x 1 ¼ x ½	M512110317	94.7	64.8	28.7	35.2	1/2	10	40



Size (cm)	DN (inch)	Product Code	H (mm)	L (mm)	S (mm)	D (mm)	D1 (inch)	Pkg.(Nos.)	
								Std.	Mast.
2.0x2.0x1.5	¾ x ¾ x ½	M512114923	68	60.44	18.8	22.45	1/2	10	100
2.5x2.5x1.5	1 x 1 x ½	M512115024	68	67.43	23.4	28.83	1/2	01	75



Size (cm)	DN (inch)	Product Code	H (mm)	L (mm)	S (mm)	D (mm)	D1 (inch)	Pkg.(Nos.)	
								Std.	Mast.
1.5	½	M512111401	48.56	29.9	12.9	16.08	1/2	50	200
2.0	¾	M512111402	54	33.6	18	22.45	3/4	25	100
2.5	1	M512111403	71	41.8	24.8	28.83	1	10	50
3.2	1 ¼	M512111404	80.55	56.4	28.5	35.2	1-1/4	5	25
4.0	1 ½	M512111405	88.25	63.2	33.5	41.66	1-1/2	5	25
5.0	2	M512111406	102.25	69.7	43.7	54.38	2	5	15



Size (cm)	DN (inch)	Product Code	H (mm)	L (mm)	S (mm)	D (mm)	D1 (inch)	Pkg.(Nos.)	
								Std.	Mast.
2.0x1.5	¾ x ½	M512111514	52.6	30.1	18.5	22.45	1/2	25	150
2.5x1.5	1 x ½	M512111515	60.3	37.6	24.5	28.83	1/2	25	100
2.5x2.0	1 x ¾	M512111416	59.9	37.6	23.5	28.83	3/4	25	125



Size (cm)	DN (inch)	Product Code	H (mm)	L (mm)	S (mm)	D (mm)	D1 (inch)	Pkg.(Nos.)	
								Std.	Mast.
1.5	½	M512111701	43	30.4	13	16.08	1/2	50	200
2.0	¾	M512111702	50.2	35.5	18	22.45	3/4	25	100
2.5	1	M512111703	64.6	46	24.2	28.83	1	10	50
3.2	1 ¼	M512111704	78.5	57	28.5	35.2	1-1/4	5	25
4.0	1 ½	M512111705	84.4	63.2	33.5	41.66	1-1/2	5	25
5.0	2	M512111706	93.5	77.7	43.7	54.38	2	5	15



Size (cm)	DN (inch)	Product Code	H (mm)	L (mm)	S (mm)	D (mm)	D1 (inch)	Pkg.(Nos.)	
								Std.	Mast.
2.0x1.5	¾ x ½	M512111214	39	33.8	18	22.45	1/2	50	200
2.5x1.5	1 x ½	M512111215	44.4	36.96	23.8	28.83	1/2	25	100
2.5x2.0	1 x ¾	M512111216	46.2	37	23.6	28.83	3/4	25	125



Size (cm)	DN (inch)	Product Code	H (mm)	L (mm)	S (mm)	D (mm)	D1 (inch)	Pkg.(Nos.)	
								Std.	Mast.
1.5	½	M512119801	48.5	33	14	160.8	1/2	25	200
2.0	¾	M512119802	63	43	18.1	22.45	3/4	10	100
2.5	1	M512119803	75	50.4	23.3	28.83	1	10	60
3.2	1 ¼	M512119804	85	64	29.3	35.2	1-1/4	5	35
4.0	1 ½	M512119805	91	72	34.1	41.66	1-1/2	5	25
5.0	2	M512119806	107	88	43.5	54.38	2	5	15



Size (cm)	DN (inch)	Product Code	H (mm)	L (mm)	S (mm)	D (mm)	D1 (inch)	Pkg.(Nos.)	
								Std.	Mast.
1.5	½	M512119901	48.5	33	14	160.8	1/2	25	200
2.0	¾	M512119902	63	43	18.1	22.45	3/4	10	110
2.5	1	M512119903	75	50.4	23.3	28.83	1	10	70
3.2	1 ¼	M512119904	85	64	29.3	35.2	1-1/4	5	35
4.0	1 ½	M512119905	91	72	34.1	41.66	1-1/2	5	25
5.0	2	M512119906	107	88	43.5	54.38	2	5	15



Size (cm)	DN (inch)	Product Code	H (mm)	L (mm)	S (mm)	D (mm)	Pkg.(Nos.)	
							Std.	Mast.
1.5	½	M512118501	117.5	93.6	19.5	16.08	01	20
2.0	¾	M512118502	125	115	25.5	22.45	02	16
2.5	1	M512118503	136	130	30.5	28.83	02	14



Size (cm)	DN (inch)	Product Code	H (mm)	L (mm)	S (mm)	D (mm)	Pkg.(Nos.)	
							Std.	Mast.
1.5	½	M5121110401	117.5	93.6	19.5	16.08	2	20
2.0	¾	M5121110402	125	115	25.5	22.45	2	16
2.5	1	M5121110403	136	130	30.5	28.83	2	14



Size (cm)	DN (inch)	Product Code	H (mm)	L (mm)	S (mm)	D (mm)	Pkg.(Nos.)	
							Std.	Mast.
1.5	½	M5121110501	117.5	93.6	19.5	16.08	2	20
2.0	¾	M5121110502	125	115	25.5	22.45	2	16
2.5	1	M5121110503	136	130	30.5	28.83	2	14



Size (cm)	DN (inch)	Product Code	H (mm)	L (mm)	S (mm)	D (mm)	Pkg.(Nos.)	
							Std.	Mast.
1.5	½	M5121110601	117.5	93.6	19.5	16.08	02	20
2.0	¾	M5121110602	125	115	25.5	22.45	02	16
2.5	1	M5121110603	136	130	30.5	28.83	02	14

Manufactured as per IS Standard.
 Only introducing, ^ Manufactured as per IS Standard.

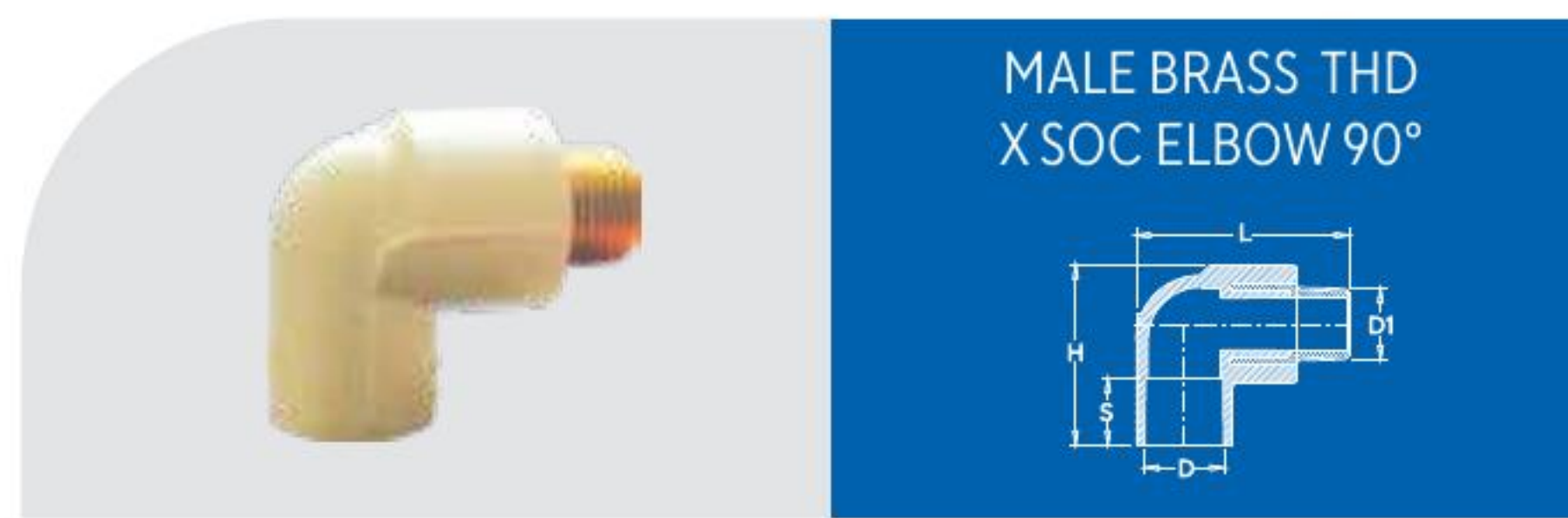
CTS - as per ASTM D2846



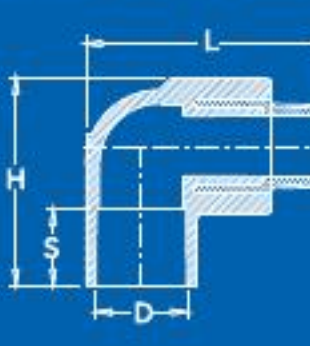
BRASS THD X SOC ELBOW WITH CLAMP



Size (cm)	DN (inch)	Product Code	H (mm)	L (mm)	S (mm)	D (mm)	D1 (inch)	Pkg.(Nos.)	
								Std.	Mast.
2.0x1.5	¾x½	M5121114114	50	54	18.3	22.45	1/2	100	250



MALE BRASS THD X SOC ELBOW 90°



Size (cm)	DN (inch)	Product Code	H (mm)	L (mm)	S (mm)	D (mm)	D1 (inch)	Pkg.(Nos.)	
								Std.	Mast.
2.0x1.5	¾x½	M512114823	51.2	60.5	18.8	22.45	1/2	10	100



BRASS FPT - SOC TEE



Size (cm)	DN (inch)	Product Code	H (mm)	L (mm)	S (mm)	D (mm)	D1 (inch)	Pkg.(Nos.)	
								Std.	Mast.
1.5x1.5x1.5	½x½x½	M512110301	51.66	38	13.7	16.08	1/2	50	200
2.0x2.0x1.5	¾x¾x½	M512110314	68.32	43	18	22.45	1/2	25	100
2.0x2.0x2.0	¾x¾x¾	M512110302	61.9	47	18.6	22.45	3/4	25	100
2.5x2.5x1.5	1x1x½	M512110315	78.86	50.5	23.4	28.83	1/2	25	75
2.5x2.5x2.0	1x1x¾	M512110316	77.78	51	24.57	28.83	3/4	25	75
2.5x2.5x2.5	1x1x1	M512110303	78	57	24.57	28.83	1	10	50
3.2x3.2x3.2	1¼x1¼x1¼	M512110304	94.6	66.9	28.7	35.2	1-1/4	05	30
3.2x3.2x1.5	1¼x1¼x½	M512110317	94.7	64.8	28.7	35.2	1/2	10	40



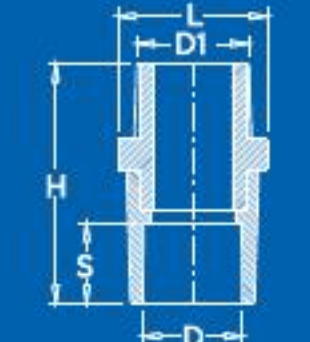
MALE BRASS TEE THD X SOC



Size (cm)	DN (inch)	Product Code	H (mm)	L (mm)	S (mm)	D (mm)	D1 (inch)	Pkg.(Nos.)	
								Std.	Mast.
2.0x2.0x1.5	¾x¾x½	M512114923	68	60.44	18.8	22.45	1/2	10	100
2.5x2.5x1.5	1x1x½	M512115024	68	67.43	23.4	28.83	1/2	01	75



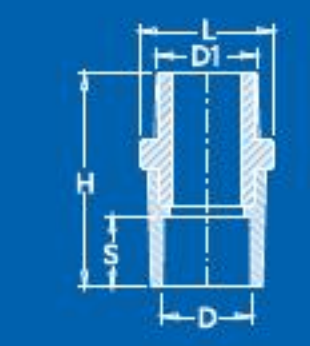
MALE ADAPTOR (BRASS THDXSOC)



Size (cm)	DN (inch)	Product Code	H (mm)	L (mm)	S (mm)	D (mm)	D1 (inch)	Pkg.(Nos.)	
								Std.	Mast.
1.5	½	M512111401	48.56	29.9	12.9	16.08	1/2	50	200
2.0	¾	M512111402	54	33.6	18	22.45	3/4	25	100
2.5	1	M512111403	71	41.8	24.8	28.83	1	10	50
3.2	1¼	M512111404	80.55	56.4	28.5	35.2	1-1/4	5	25
4.0	1½	M512111405	88.25	63.2	33.5	41.66	1-1/2	5	25
5.0	2	M512111406	102.25	69.7	43.7	54.38	2	5	15



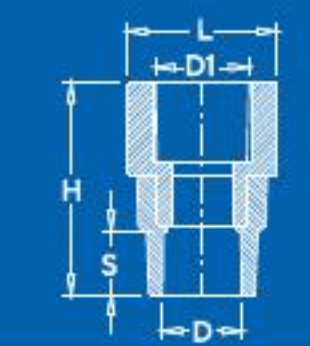
REDUCER MALE ADAPTOR (BRASS THDXSOC)



Size (cm)	DN (inch)	Product Code	H (mm)	L (mm)	S (mm)	D (mm)	D1 (inch)	Pkg.(Nos.)	
								Std.	Mast.
2.0x1.5	¾x½	M512111514	52.6	30.1	18.5	22.45	1/2	25	150
2.5x1.5	1x½	M512111515	60.3	37.6	24.5	28.83	1/2	25	100
2.5x2.0	1x¾	M512111416	59.9	37.6	23.5	28.83	3/4	25	125



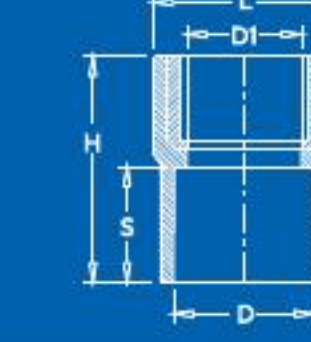
FEMALE ADAPTOR (BRASS THDXSOC)



Size (cm)	DN (inch)	Product Code	H (mm)	L (mm)	S (mm)	D (mm)	D1 (inch)	Pkg.(Nos.)	
								Std.	Mast.
1.5	½	M512111701	43	30.4	13	16.08	1/2	50	200
2.0	¾	M512111702	50.2	35.5	18	22.45	3/4	25	100
2.5	1	M512111703	64.6	46	24.2	28.83	1	10	50
3.2	1¼	M512111704	78.5	57	28.5	35.2	1-1/4	5	25
4.0	1½	M512111705	84.4	63.2	33.5	41.66	1-1/2	5	25
5.0	2	M512111706	93.5	77.7	43.7	54.38	2	5	15



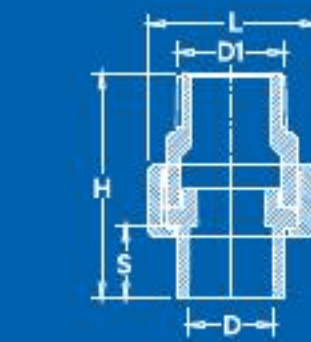
REDUCER COUPLER (BRASS THDXSOC)



Size (cm)	DN (inch)	Product Code	H (mm)	L (mm)	S (mm)	D (mm)	D1 (inch)	Pkg.(Nos.)	
								Std.	Mast.
2.0x1.5	¾x½	M512111214	39	33.8	18	22.45	1/2	50	200
2.5x1.5	1x½	M512111215	44.4	36.96	23.8	28.83	1/2	25	100
2.5x2.0	1x¾	M512111216	46.2	37	23.6	28.83	3/4	25	125



MALE UNION (BRASS THDXSOC)



Size (cm)	DN (inch)	Product Code	H (mm)	L (mm)	S (mm)	D (mm)	D1 (inch)	Pkg.(Nos.)	
								Std.	Mast.
1.5	½	M512119801	48.5	33	14	16.08	1/2	25	200
2.0	¾	M512119802	63	43	18.1	22.45	3/4	10	100
2.5	1	M512119803	75	50.4	23.3	28.83	1	10	60
3.2	1¼	M512119804	85	64	29.3	35.2	1-1/4	5	35
4.0	1½	M512119805	91	72	34.1	41.66	1-1/2	5	25
5.0	2	M512119806	107	88	43.5	54.38	2	5	15



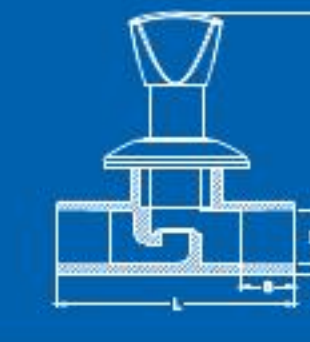
FEMALE UNION (BRASS THDXSOC)



Size (cm)	DN (inch)	Product Code	H (mm)	L (mm)	S (mm)	D (mm)	D1 (inch)	Pkg.(Nos.)	
								Std.	Mast.
1.5	½	M512119901	48.5	33	14	16.08	1/2	25	200
2.0	¾	M512119902	63	43	18.1	22.45	3/4	10	110
2.5	1	M512119903	75	50.4	23.3	28.83	1	10	70
3.2	1¼	M512119904	85	64	29.3	35.2	1-1/4	5	35
4.0	1½	M512119905	91	72	34.1	41.66	1-1/2	5	25
5.0	2	M512119906	107	88	43.5	54.38	2	5	15



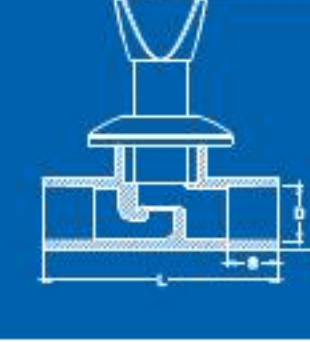
CONCEALED VALVE (CHROME PLATED) (TRIANGLE)



Size (cm)	DN (inch)	Product Code	H (mm)	L (mm)	S (mm)	D (mm)	Pkg.(Nos.)	
							Std.	Mast.
1.5	½	M512118501	117.5	93.6	19.5	16.08	01	20
2.0	¾	M512118502	125	115	25.5	22.45	02	16
2.5	1	M512118503	136	130	30.5	28.83	02	14



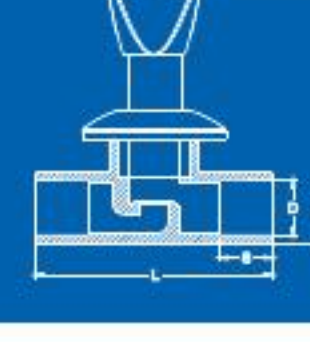
CONCEALED VALVE (CHROME PLATED) (SQUARE)



Size (cm)	DN (inch)	Product Code	H (mm)	L (mm)	S (mm)	D (mm)	Pkg.(Nos.)	
							Std.	Mast.
1.5	½	M5121110401	117.5	93.6	19.5	16.08	2	20
2.0	¾	M5121110402	125	115	25.5	22.45	2	16
2.5	1	M5121110403	136	130	30.5	28.83	2	14



CONCEALED VALVE (CHROME PLATED) (ROUND)



Size (cm)	DN (inch)	Product Code	H (mm)	L (mm)	S (mm)	D (mm)	Pkg.(Nos.)	
							Std.	Mast.
1.5	½	M5121110501	117.5	93.6	19.5	16.08	2	20
2.0	¾	M5121110502	125	115	25.5	22.45	2	16
2.5	1	M5121110503	136	130	30.5	28.83	2	14



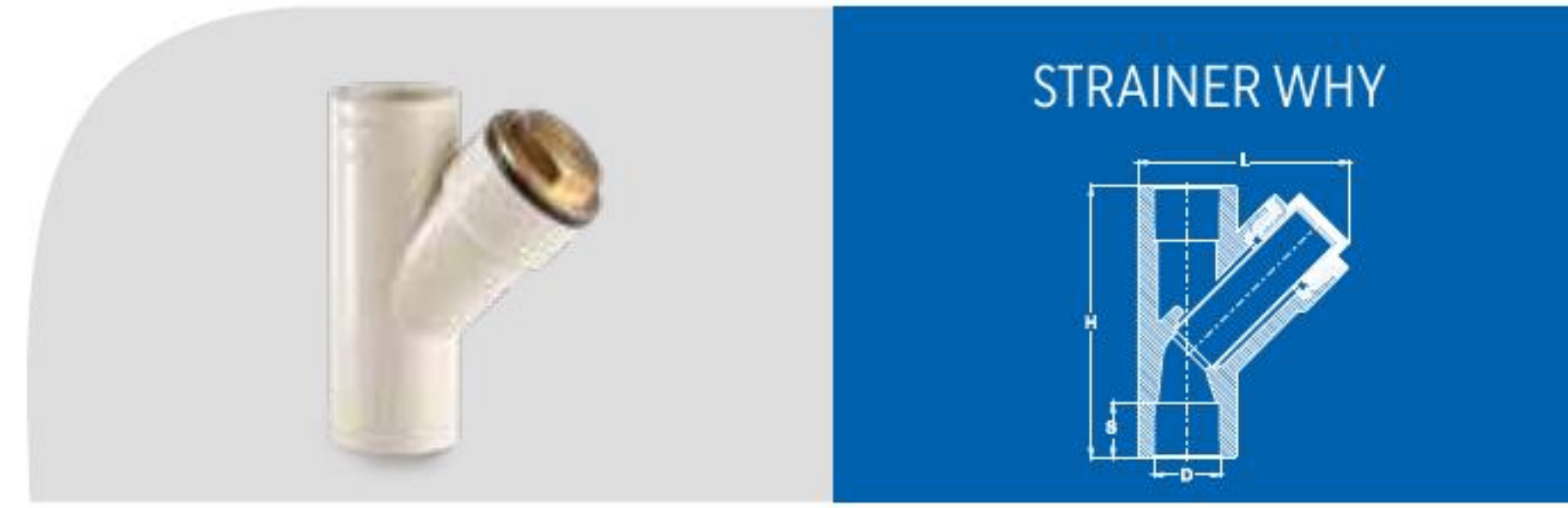
CONCEALED VALVE (CHROME PLATED) (FLOWER)



Size (cm)	DN (inch)	Product Code	H (mm)	L (mm)	S (mm)	D (mm)	Pkg.(Nos.)	
							Std.	Mast.
1.5	½	M5121110601	117.5	93.6	19.5	16.08	02	20
2.0	¾	M5121110602	125	115	25.5	22.45	02	16
2.5	1	M5121110603	136	130	30.5	28.83	02	14

Manufactured as per IS Standard.
 Only introducing, ^ Manufactured as per IS Standard.

Spares for Concealed Valve



Size (cm)	DN (inch)	Product Code	H (mm)	L (mm)	S (mm)	D (mm)	Pkg.(Nos.)	
							Std.	Mast.
2.5	1	M5121115403	117	91.5	29	35.66	10	30
3.2	1¼	M5121115404	148.4	123.5	32.3	42.42	5	10
4.0	1½	M5121115405	168	131.5	35.4	48.56	1	8
5.0	2	M5121115406	197	157.5	38.6	60.63	1	6



Size (cm)	DN (inch)	Product Code	H (mm)	L (mm)	S (mm)	D (mm)	Pkg.(Nos.)	
							Std.	Mast.
2.0(Long)	¾	M5121113302	155	81.8	19	22.45	01	20
2.5(Long)	1	M5121113303	155	88.6	23.7	28.83	01	20
2.0(Short)	¾	M5121113402	124	81.8	19	22.45	01	20
2.5(Short)	1	M5121113403	124	88.6	23.7	28.83	01	20



Size (cm)	Size (inch)	Product Code	Pkg.(Nos.)	
			Std.	Mast.
2.0	¾	RM04159009	-	01



Size (cm)	Size (inch)	Product Code	Pkg.(Nos.)	
			Std.	Mast.
2.0	¾	RM04159004	-	01



Size (cm)	DN (inch)	Product Code	H (mm)	L (mm)	S (mm)	D (mm)	Pkg.(Nos.)	
							Std.	Mast.
1.5	½	M512118601	103.5	93.6	19.5	16.08	02	20
2.0	¾	M512118602	108	115	25.5	22.45	02	16
2.5	1	M512118603#	-	-	-	-	02	14



Size (cm)	DN (inch)	Product Code	H (mm)	L (mm)	S (mm)	D (mm)	Pkg.(Nos.)	
							Std.	Mast.
2.0(Long)	¾	M5121113502	155	81.8	19	22.45	01	20
2.5(Long)	1	M5121113503	155	88.6	23.7	28.83	01	20
2.0(Short)	¾	M5121113602	124	81.8	19	22.45	01	20
2.5(Short)	1	M5121113603	124	88.6	23.7	28.83	01	20



Size (cm)	Size (inch)	Product Code	Pkg.(Nos.)	
			Std.	Mast.
2.0	¾	RM04159006	-	01



Size (cm)	Size (inch)	Product Code	Pkg.(Nos.)	
			Std.	Mast.
2.0 (Long)	¾	RM04159005#	-	01
2.0 (short)	¾	RM04159015#	-	01



Size (cm)	DN (inch)	Product Code	H (mm)	L (mm)	S (mm)	D (mm)	Pkg.(Nos.)	
							Std.	Mast.
2.0(Long)	¾	M5121113102	155	81.8	19	22.45	01	20
2.5(Long)	1	M5121113103	155	88.6	23.7	28.83	01	20
2.0(Short)	¾	M5121113202	124	81.8	19	22.45	01	20
2.5(Short)	1	M5121113203	124	88.6	23.7	28.83	01	20



Size (cm)	DN (inch)	Product Code	H (mm)	L (mm)	S (mm)	D (mm)	Pkg.(Nos.)	
							Std.	Mast.
2.0(Long)	¾	M5121113702	155	81.8	19	22.45	01	20
2.5(Long)	1	M5121113703	155	88.6	23.7	28.83	01	20
2.0(Short)	¾	M5121113802	124	81.8	19	22.45	01	20
2.5(Short)	1	M5121113803	124	88.6	23.7	28.83	01	20



Size (cm)	Size (inch)	Product Code	Pkg.(Nos.)	
			Std.	Mast.
2.0	¾	RM04159007	-	01



Size (cm)	Size (inch)	Product Code	Pkg.(Nos.)	
			Std.	Mast.
2.0(Short)	¾	RM04159010	-	01
2.0(Long)	¾	RM04159011	-	01
2.5(Short)	1	RM04159012	-	01
2.5(Long)	1	RM04159013	-	01

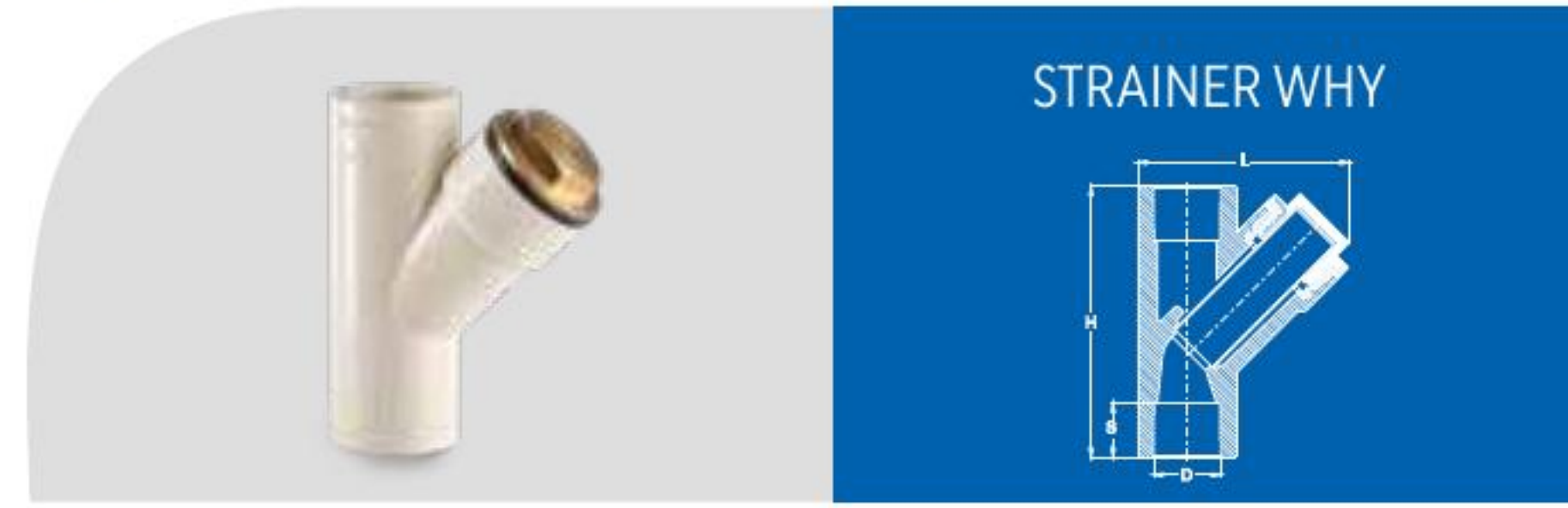


Size (cm)	Size (inch)	Product Code	Pkg.(Nos.)	
			Std.	Mast.
2.0	¾	RM04159008	-	01

Only Introducing

items where product code starts with "F" are fabricated items.

Spares for Concealed Valve



Size (cm)	DN (inch)	Product Code	H (mm)	L (mm)	S (mm)	D (mm)	Pkg.(Nos.)	
							Std.	Mast.
2.5	1	M5121115403	117	91.5	29	35.66	10	30
3.2	1¼	M5121115404	148.4	123.5	32.3	42.42	5	10
4.0	1½	M5121115405	168	131.5	35.4	48.56	1	8
5.0	2	M5121115406	197	157.5	38.6	60.63	1	6



Size (cm)	DN (inch)	Product Code	H (mm)	L (mm)	S (mm)	D (mm)	Pkg.(Nos.)	
							Std.	Mast.
2.0(Long)	¾	M5121113302	155	81.8	19	22.45	01	20
2.5(Long)	1	M5121113303	155	88.6	23.7	28.83	01	20
2.0(Short)	¾	M5121113402	124	81.8	19	22.45	01	20
2.5(Short)	1	M5121113403	124	88.6	23.7	28.83	01	20



Size (cm)	Size (inch)	Product Code	Pkg.(Nos.)	
			Std.	Mast.
2.0	¾	RM04159009	-	01



Size (cm)	Size (inch)	Product Code	Pkg.(Nos.)	
			Std.	Mast.
2.0	¾	RM04159004	-	01



Size (cm)	DN (inch)	Product Code	H (mm)	L (mm)	S (mm)	D (mm)	Pkg.(Nos.)	
							Std.	Mast.
1.5	½	M512118601	103.5	93.6	19.5	16.08	02	20
2.0	¾	M512118602	108	115	25.5	22.45	02	16
2.5	1	M512118603#	-	-	-	-	02	14



Size (cm)	DN (inch)	Product Code	H (mm)	L (mm)	S (mm)	D (mm)	Pkg.(Nos.)	
							Std.	Mast.
2.0(Long)	¾	M5121113502	155	81.8	19	22.45	01	20
2.5(Long)	1	M5121113503	155	88.6	23.7	28.83	01	20
2.0(Short)	¾	M5121113602	124	81.8	19	22.45	01	20
2.5(Short)	1	M5121113603	124	88.6	23.7	28.83	01	20



Size (cm)	Size (inch)	Product Code	Pkg.(Nos.)	
			Std.	Mast.
2.0	¾	RM04159006	-	01



Size (cm)	Size (inch)	Product Code	Pkg.(Nos.)	
			Std.	Mast.
2.0 (Long)	¾	RM04159005#	-	01
2.0 (short)	¾	RM04159015#	-	01



Size (cm)	DN (inch)	Product Code	H (mm)	L (mm)	S (mm)	D (mm)	Pkg.(Nos.)	
							Std.	Mast.
2.0(Long)	¾	M5121113102	155	81.8	19	22.45	01	20
2.5(Long)	1	M5121113103	155	88.6	23.7	28.83	01	20
2.0(Short)	¾	M5121113202	124	81.8	19	22.45	01	20
2.5(Short)	1	M5121113203	124	88.6	23.7	28.83	01	20



Size (cm)	DN (inch)	Product Code	H (mm)	L (mm)	S (mm)	D (mm)	Pkg.(Nos.)	
							Std.	Mast.
2.0(Long)	¾	M5121113702	155	81.8	19	22.45	01	20
2.5(Long)	1	M5121113703	155	88.6	23.7	28.83	01	20
2.0(Short)	¾	M5121113802	124	81.8	19	22.45	01	20
2.5(Short)	1	M5121113803	124	88.6	23.7	28.83	01	20



Size (cm)	Size (inch)	Product Code	Pkg.(Nos.)	
			Std.	Mast.
2.0	¾	RM04159007	-	01



Size (cm)	Size (inch)	Product Code	Pkg.(Nos.)	
			Std.	Mast.
2.0(Short)	¾	RM04159010	-	01
2.0(Long)	¾	RM04159011	-	01
2.5(Short)	1	RM04159012	-	01
2.5(Long)	1	RM04159013	-	01



Size (cm)	Size (inch)	Product Code	Pkg.(Nos.)	
			Std.	Mast.
2.0	¾	RM04159008	-	01

Only Introducing

items where product code starts with "F" are fabricated items.

CTS - as per ASTM D2846



SPINDLE VALVE
PART WITH GASKET

Size (cm)	Size (inch)	Product Code	Pkg.(Nos.) Std.	Mast.
1.5	½	RM04159001	-	01
2.0	¾	RM04159002	-	01
2.5	1	RM04159003	-	01



CONCEALED
CROME PLATED VALVE

Size (cm)	Size (inch)	Product Code	Pkg.(Nos.) Std.	Mast.
1.5	½	RM04151012	-	02
2.0	¾	RM04151034	-	02
2.5	1	RM04151001	-	02



WHEEL
TYPE VALVE

Size (cm)	Size (inch)	Product Code	Pkg.(Nos.) Std.	Mast.
1.5	½	RM04152012	-	01
2.0	¾	RM04152034	-	01
2.5	1	RM04152001#	-	01



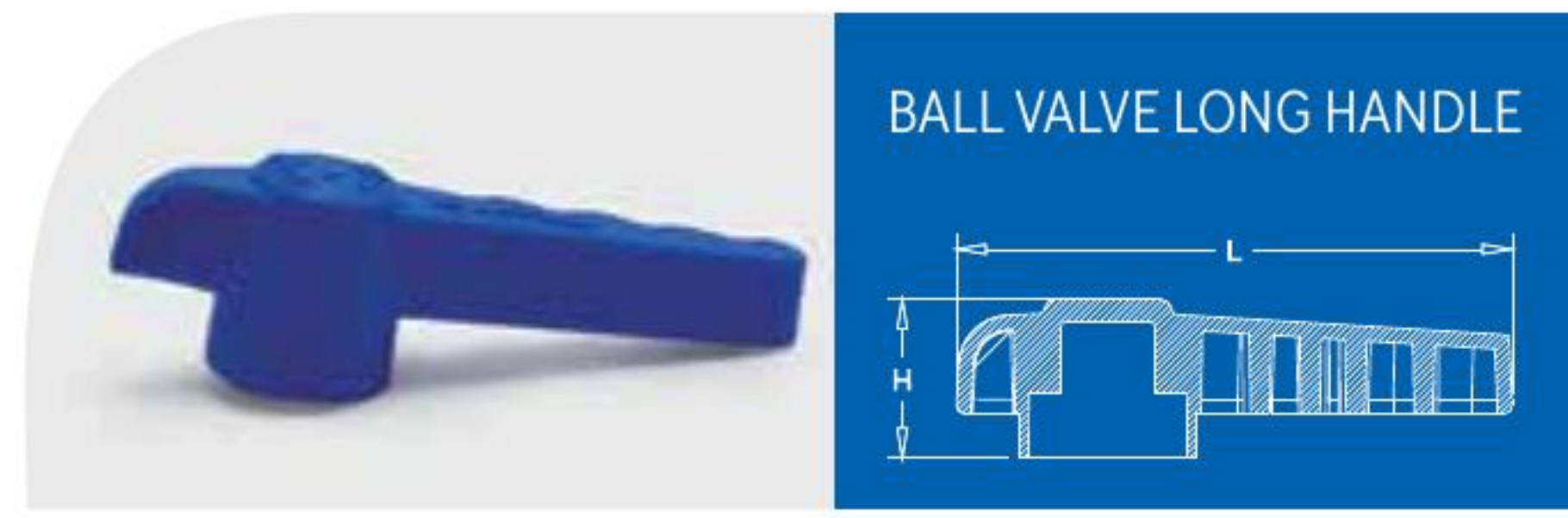
BALL VALVES
(CTS SOCKETS)

Size (cm)	DN (inch)	Product Code	H (mm)	L (mm)	S (mm)	D (mm)	Pkg.(Nos.) Std.	Mast.
1.5	½	M512112701N	68.1	62.5	14.7	16.08	-	80
2.0	¾	M512112702N	81.5	79.7	18	22.45	-	100
2.5	1	M512112703N	96.2	91.5	24.9	28.83	-	60
3.2	1¼	M512112704N	111.71	106.4	29.5	35.2	-	40
4.0	1½	M512112705N	135.5	128.5	34.5	41.66	-	25
5.0	2	M512112706N	159.8	162.8	43.1	54.38	-	14



BALL VALVE LONG
HANDLE (CTS SOCKET)

Size (cm)	DN (inch)	Product Code	H (mm)	L (mm)	S (mm)	D (mm)	Pkg.(Nos.) Std.	Mast.
1.5	½	M512112701LH	64	69	18	16.08	-	80
2.0	¾	M512112702LH	77.5	79.7	23.3	22.45	-	100
2.5	1	M512112703LH	99	90.8	24	28.83	-	50
3.2	1¼	M512112704LH	112	99.8	28.2	35.2	-	40
4.0	1½	M512112705LH	124.8	119.7	28	41.66	-	30
5.0	2	M512112706LH	154.5	133.3	29.5	54.38	-	15

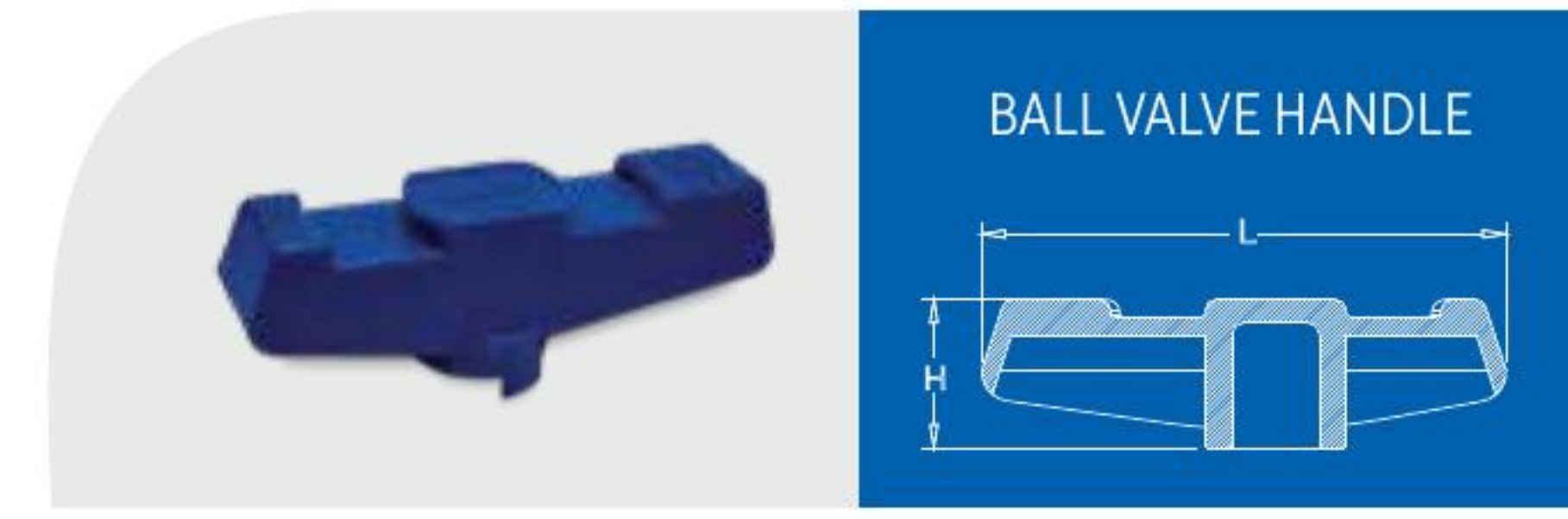


BALL VALVE LONG HANDLE

Size (cm)	DN (inch)	Product Code	H (mm)	L (mm)	Pkg.(Nos.) Std.	Mast.
1.5	½	M512118001	21.5	74	-	01
2.0	¾	M512118002	27	83.8	-	01
2.5	1	M512118003	30.8	108.4	-	01
3.2	1¼	M512118004	35	115	-	01
4.0	1½	M512118005	37.5	129.4	-	01
5.0	2	M512118006	47	159.6	-	01



Only those products bearing the above marks are certified



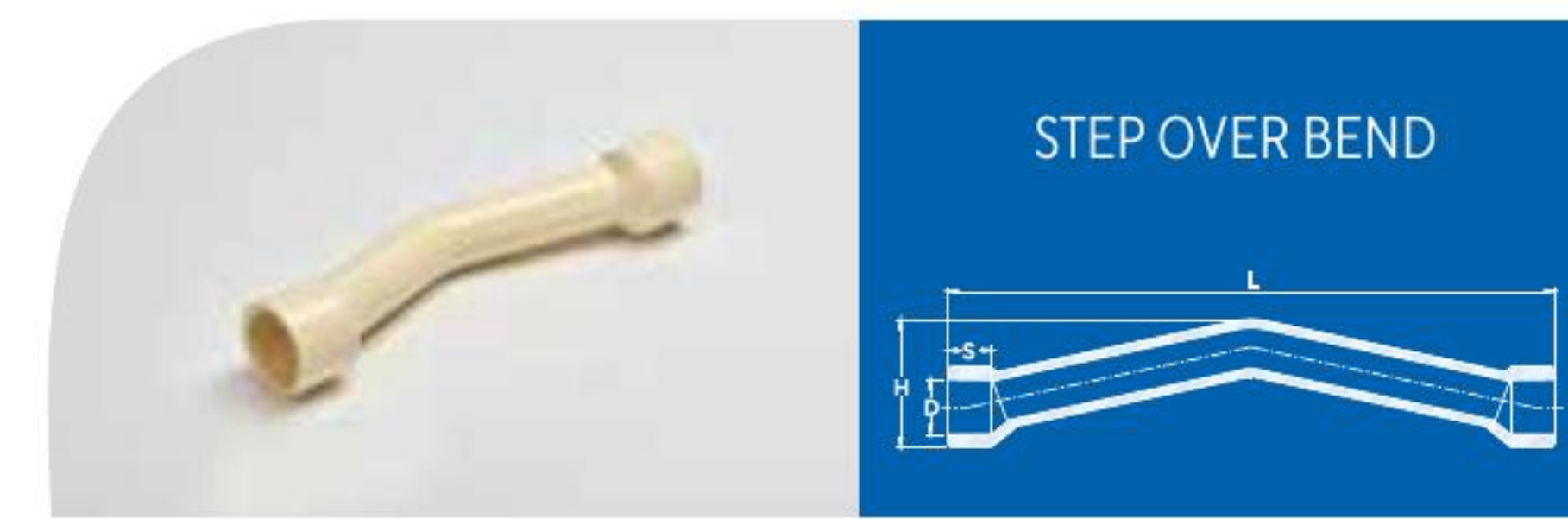
BALL VALVE HANDLE

Size (cm)	DN (inch)	Product Code	H (mm)	L (mm)	Pkg.(Nos.) Std.	Mast.
1.5	½	M512118001N	22.6	62.3	-	01
2.0	¾	M512118002N	27.5	78	-	01
2.5	1	M512118003N	29.5	89	-	01
3.2	1¼	M512118004N	36.3	103.7	-	01
4.0	1½	M512118005N	44.6	119.6	-	01
5.0	2	M512118006N	49.5	148	-	01



LONG REDIOUS BEND

Size (cm)	DN (inch)	Product Code	H (mm)	L (mm)	S (mm)	D (mm)	Pkg.(Nos.) Std.	Mast.
2.0	¾	M512110902	106	106	20.6	22.45	10	140
2.5	1	M512110903	123.8	123.8	23.4	28.83	10	80
3.2	1¼	M512110904	135	135	29.4	35.2	10	50
4.0	1½	M512110905	156.2	156.2	35.2	41.66	05	30
5.0	2	*F512110906	188	188	45	54.38	-	14



STEP OVER BEND

Size (cm)	DN (inch)	Product Code	H (mm)	L (mm)	S (mm)	D (mm)	Pkg.(Nos.) Std.	Mast.
1.5	½	M512112801	39.8	150	20.8	16.08	10	150
2.0	¾	M512112802	50	189.5	18	22.45	10	200
2.5	1	M512112803	57.75	200	23	28.83	10	150
3.2	1¼	M512112804	75	360	27	35.2	-	30
4.0	1½	M512112805	80	380	32	41.66	-	20
5.0	2	F512112806	115	530	48	54.38	-	10



ALL TOP ADAPTOR
(3 IN 1 WALL MIXER ADAPTOR)

Size (cm)	DN (inch)	Product Code	H (mm)	H (mm)	L (mm)	S (mm)	D (mm)	D1 (inch)	Pkg.(Nos.) Std.	Mast.
2.0 x 1.5	¾ x ½	M512510614	146.5	171.7	179	18.6	22.45	1/2	-	06
2.5 x 1.5	1 x ½	M512510615	146.5	171.7	179	24	28.83	1/2	-	06



TOP BOTTOM ADAPTOR
(3 IN 1 WALL MIXER ADAPTOR)

Size (cm)	DN (inch)	Product Code	H (mm)	H (mm)	L (mm)	S (mm)	D (mm)	D1 (inch)	Pkg.(Nos.) Std.	Mast.
2.0 x 1.5	¾ x ½	M512510714	146.5	171.7	179	18.6	22.45	1/2	-	06
2.5 x 1.5	1 x ½	M512510715	146.5	171.7	179	24	28.83	1/2	-	06



TOP SIDE ADAPTOR
(3 IN 1 WALL MIXER ADAPTOR)

Size (cm)	DN (inch)	Product Code	H (mm)	H (mm)	L (mm)	S (mm)	D (mm)	D1 (inch)	Pkg.(Nos.) Std.	Mast.
2.0 x 1.5	¾ x ½	M512510814	146.5	171.7	179	18.6	22.45	1/2	-	06
2.5 x 1.5	1 x ½	M512510815	146.5	171.7	179	24	28.83	1/2	-	06



HOT UP - COLD DOWN
ADAPTOR
(3 IN 1 WALL MIXER ADAPTOR)

Size (cm)	DN (inch)	Product Code	H (mm)	H (mm)	L (mm)	S (mm)	D (mm)	D1 (inch)	Pkg.(Nos.) Std.	Mast.
2.0 x 1.5	¾ x ½	M512510914	146.5	171.7	179	18.6	22.45	1/2	-	06
2.5 x 1.5	1 x ½	M512510915	146.5	171.7	179	24	28.83	1/2	-	06

hortly introducing

the items where product code starts with "F" are fabricated items.